

REV	DESCRIPTION OF REVISION	By	DATE	APPROVED
A	INITIAL RELEASE	C. Cai	2025/1/3	C. Chen

TECHNICAL DATA

► Electrical Data

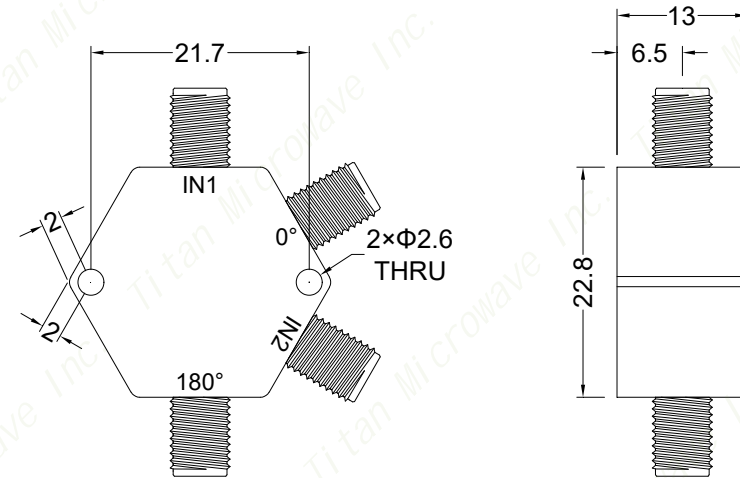
Frequency Range	25.5~27GHz
Insertion Loss	2.5dB max
VSWR	1.7:1 max
Isolation	16dB min
Amplitude Balance	±0.8dB max
Phase Balance	±10° max
Impedance	50 Ohms
Power Rating	1W(CW)

► Mechanical Data

Input/Output Connectors	2.92mm-Female
Dimensions	22.8×22.8×13mm
Surface Finish	Black Painted

► Environmental Data

Operating Temperature	-55℃~+85℃
-----------------------	-----------



DRAWN: L. Ma 3/1/25		
ENGINEER: J. Zhu 3/1/25		
APPROVED: C. Chen 3/1/25		
TOLERANCE UNLESS OTHERWISE SPECIFIED		
x	±0.50	[0.019"]
.x	±0.20	[0.008"]
.xx	±0.10	[0.004"]
ANGLES	±1°	

TITLE:
180 Deg. Hybrid Coupler,
25.5~27GHz, 1W,
2.92mm-Female

PART No.:
TMHC180-25502700-1K



www.titan-microwave.com



DIMENSIONS IN MILLIMETERS(mm)

SIZE: A4	SCALE:	SHEET: 1/1	REV: A
-------------	--------	---------------	-----------

Notes:

- ALL SPECIFICATIONS ARE SUBJECT TO CHANGE WITHOUT NOTICE AT ANY TIME
- CUSTOMER OUTLINE DRAWING FOR REFERENCE ONLY