

REV	DESCRIPTION OF REVISION	By	DATE	APPROVED
A	INITIAL RELEASE	C. Cai	2022/8/21	C. Chen

## TECHNICAL DATA

### Electrical Data

Frequency Range	2-8GHz
Output Power(P1dB)	12dBm min, 15dBm typ
Saturated Output Power(Psat)	17dBm typ
Gain	35dB min, 38dB typ
Gain Flatness	±1.0dB typ
Noise Figure	0.8dB typ, 1.2dB max
VSWR Input	1.5:1 typ, 2.0:1 max
VSWR Output	1.8:1 typ, 2.0:1 max
DC Voltage	+15V
Current	85mA typ, 130mA max
Impedance	50 Ohms

### Mechanical Data

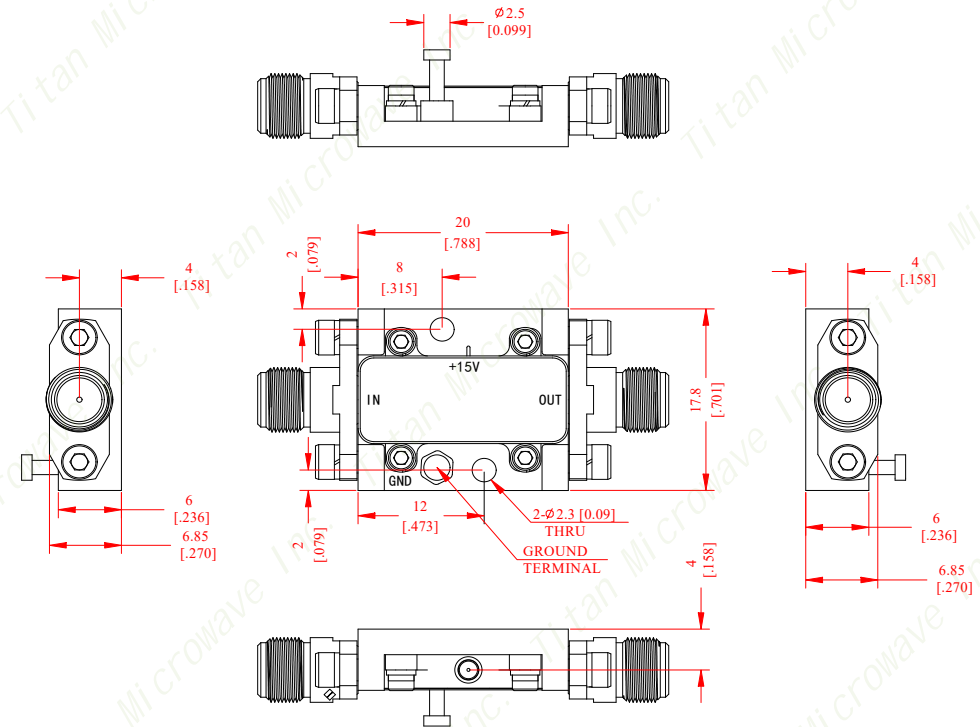
Dimensions	20×17.8×6.85mm
Input/Output Connector	SMA-Female
Housing Material	Aluminum
Surface Finish	Gold Plated

### Environmental Data

Operating Temperature	-40℃~+75℃
Storage Temperature	-50℃~+85℃

### Absolute Maximum Ratings

Operating Voltage	+16V
RF Input Power	-10dBm



#### Notes:

- ALL SPECIFICATIONS ARE SUBJECT TO CHANGE WITHOUT NOTICE AT ANY TIME
- CUSTOMER OUTLINE DRAWING FOR REFERENCE ONLY

DRAWN: L. Ma 21/08/22		
ENGINEER: J. Zhu 21/08/22		
APPROVED: C. Chen 21/08/22		
TOLERANCE UNLESS OTHERWISE SPECIFIED		
x	±0.50	[0.019"]
.x	±0.20	[0.008"]
.xx	±0.10	[0.004"]
ANGLES	±1°	

**TITLE:**  
Low Noise Amplifier, 2-8GHz, Gain 38dB, P1dB 15dBm, Noise Figure 0.8dB, +15V, SMA-Female

**PART No.:**  
TMLA-02000800-3815-12



[www.titan-microwave.com](http://www.titan-microwave.com)



DIMENSIONS IN MILLIMETERS(mm)

SIZE: A4	SCALE:	SHEET: 1/1	REV: A
-------------	--------	---------------	-----------