

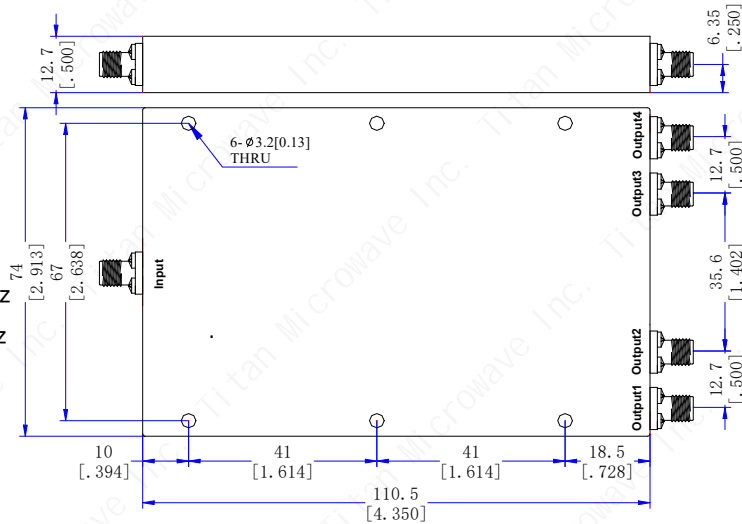
TMPD4-00504000-20KA

**0.5 to 40 GHz, 20W, 2.92mm-Female
4-WAY POWER DIVIDER**

Electrical Characteristics

Frequency Range	0.5~40GHz
Insertion Loss	5.0dB max (excluding theoretical loss 6.0dB)
Amplitude Balance	±0.5dB
Phase Balance	±7°
VSWR(input port)	1.28:1 typ, 1.5:1 max
VSWR(output ports)	1.26:1 typ, 1.6:1 max
Isolation	11dB min@0.5~0.6GHz 16dB min@0.6~40GHz
Impedance	50 Ohms
Power Handling	20W(as a splitter) 1W(as a combiner)

Outline Drawing(mm[inch])



Mechanical & Environmental Characteristics

Dimensions	74 × 110.5 × 12.7mm
RF Connectors	2.92mm-Female
Connectors Material	Stainless Steel
Surface Finishing	Black/Blue/Gray Paint
Operating Temperature	-40°C~+85°C
Storage Temperature	-50°C~+105°C
Weight	330g