

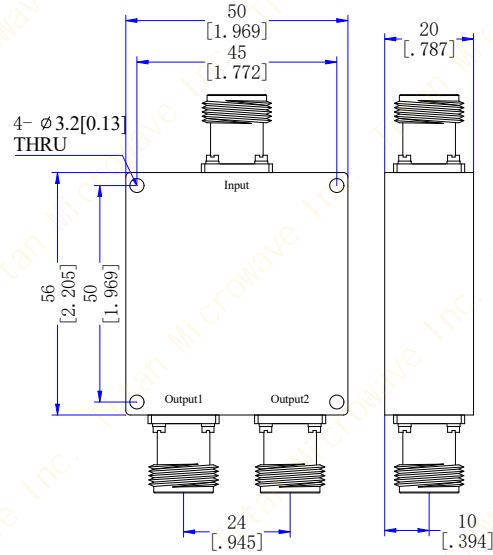
**TMPD2-00600600-30N**

**0.6 to 6 GHz, 30W, N-Female  
2-WAY POWER DIVIDER**

**Electrical Characteristics**

<b>Frequency Range</b> .....	600~6000MHz
<b>Insertion Loss</b> .....	1.2dB max
(excluding theoretical loss 3.0dB)	
<b>Amplitude Balance</b> .....	±0.2dB
<b>Phase Balance</b> .....	±3°
<b>VSWR(input port)</b> .....	1.16:1 typ, 1.25:1 max
<b>VSWR(output ports)</b> .....	1.16:1 typ, 1.2:1 max
<b>Isolation</b> .....	20dB min, 26dB typ
<b>Impedance</b> .....	50 Ohms
<b>Power Handling</b> .....	30W(as a splitter)
.....	2W(as a combiner)

**Outline Drawing(mm[inch])**



**Mechanical & Environmental Characteristics**

<b>Dimensions</b> .....	50 × 56 × 20mm
<b>RF Connectors</b> .....	N-Female
<b>Housing Material</b> .....	Aluminum
<b>Surface Finishing</b> .....	Conductive Oxidation
<b>Operating Temperature</b> .....	-35°C~+75°C
<b>Storage Temperature</b> .....	-50°C~+85°C
<b>Weight</b> .....	190g