

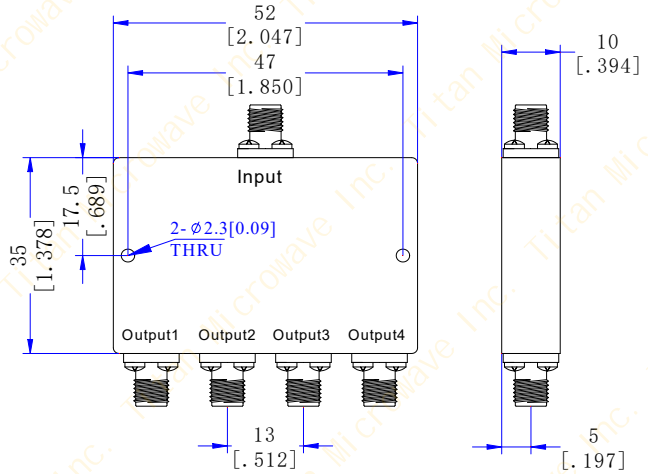
TMPD4-26003200-20K

**26 to 32 GHz, 20W, 2.92mm-Female
 4-WAY POWER DIVIDER**

Electrical Characteristics

Outline Drawing(mm)

Frequency Range	26~32GHz
Insertion Loss	1.0dB max (excluding theoretical loss 6.0dB)
Amplitude Balance	±0.4dB
Phase Balance	±5°
VSWR(input port)	1.50:1 max
VSWR(output ports)	1.50:1 max
Isolation	18dB min
Impedance	50 Ohms
Power Handling	20W(as a splitter) 1W(as a combiner)



Mechanical & Environmental Characteristics

Dimensions	52 × 35 × 10mm
RF Connectors	2.92mm-Female
Connectors Material	Passivated Stainless Steel
Surface Finishing	Black/Blue/Gray Painted
Operating Temperature	-45°C~+85°C
Storage Temperature	-50°C~+100°C
Weight	75g