

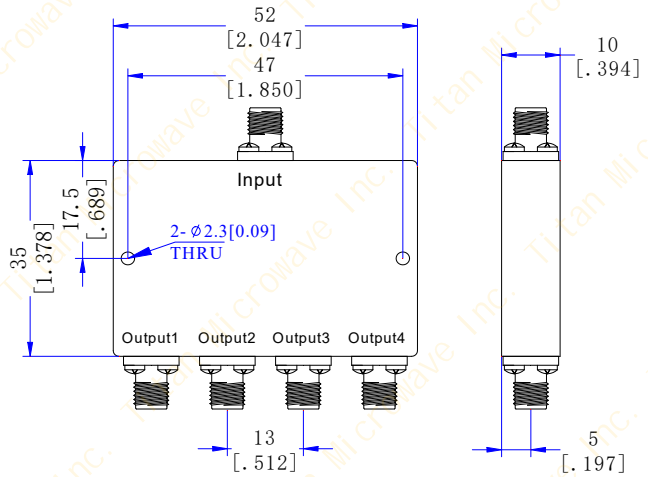
**TMPD4-24004000-20K**

**24 to 40 GHz, 20W, 2.92mm-Female  
 4-WAY POWER DIVIDER**

**Electrical Characteristics**

**Outline Drawing(mm)**

<b>Frequency Range</b> .....	24~40GHz
<b>Insertion Loss</b> .....	1.6dB max (excluding theoretical loss 6.0dB)
<b>Amplitude Balance</b> .....	±0.4dB
<b>Phase Balance</b> .....	±5°
<b>VSWR(input port)</b> .....	1.28:1 typ, 1.50:1 max
<b>VSWR(output ports)</b> .....	1.26:1 typ, 1.50:1 max
<b>Isolation</b> .....	16dB min, 22dB typ
<b>Impedance</b> .....	50 Ohms
<b>Power Handling</b> .....	20W(as a splitter) 1W(as a combiner)



**Mechanical & Environmental Characteristics**

<b>Dimensions</b> .....	52 × 35 × 10mm
<b>RF Connectors</b> .....	2.92mm-Female
<b>Connectors Material</b> .....	Passivated Stainless Steel
<b>Surface Finishing</b> .....	Black/Blue/Gray Painted
<b>Operating Temperature</b> .....	-45°C~+85°C
<b>Storage Temperature</b> .....	-50°C~+100°C
<b>Weight</b> .....	75g