

REV	DESCRIPTION OF REVISION	By	DATE	APPROVED
A	INITIAL RELEASE	C. Cai	2022/12/21	C. Chen

TECHNICAL DATA

Electrical Data

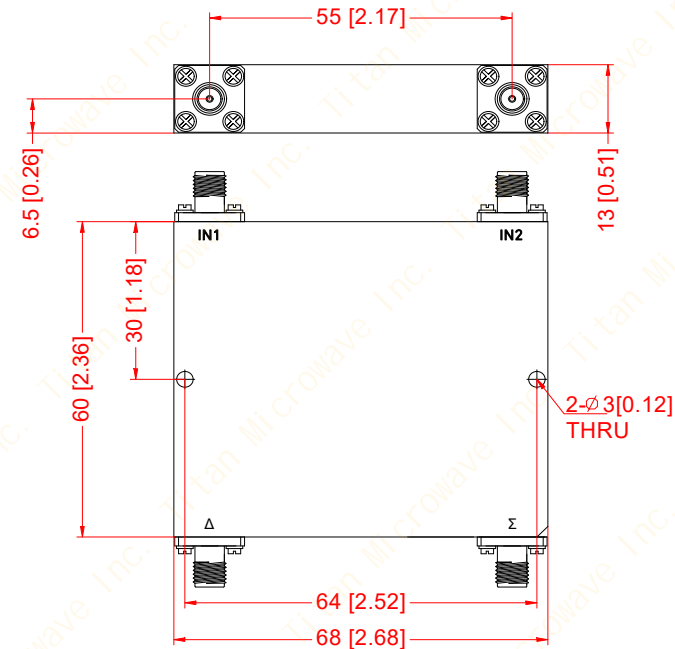
Frequency Range	1500-3000MHz
Insertion Loss	0.6dB max
VSWR	1.40:1 max
Isolation	18dB min
Amplitude Balance	±0.6dB max
Phase Balance	±12°
Impedance	50 Ohms
Power Rating	50W max

Mechanical Data

Input/Output Connectors	SMA-Female
Dimensions	68×60×13mm
Surface Finish	Black Painted

Environmental Data

Operating Temperature	-45℃~+85℃
-----------------------	-----------



Notes:

- ALL SPECIFICATIONS ARE SUBJECT TO CHANGE WITHOUT NOTICE AT ANY TIME
- CUSTOMER OUTLINE DRAWING FOR REFERENCE ONLY

DRAWN: L. Ma 21/12/22		
ENGINEER: J. Zhu 21/12/22		
APPROVED: C. Chen 21/12/22		
TOLERANCE UNLESS OTHERWISE SPECIFIED		
x	±0.50	[0.019"]
.x	±0.20	[0.008"]
.xx	±0.10	[0.004"]
ANGLES	±1°	

TITLE:
3dB 90 Deg. Hybrid
Coupler, 1.5~3GHz, 50W,
SMA-Female

PART No.:
TMHC90-01500300-50S

成都巨人微波
TITAN MICROWAVE INC.
- A Professional RF & Microwave Components Supplier -

www.titan-microwave.com



DIMENSIONS IN MILLIMETERS(mm)

SIZE: A4	SCALE:	SHEET: 1/1	REV: A
--------------------	---------------	----------------------	------------------