

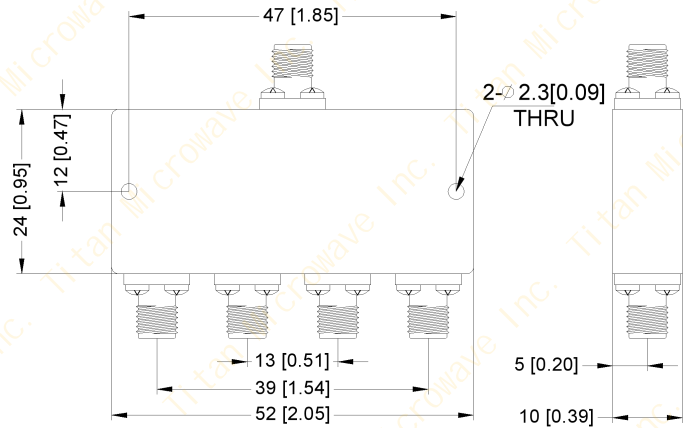
TMPD4-10005000-204

**10 to 50 GHz, 20W, 2.4mm-Female
4-WAY POWER DIVIDER**

Electrical Characteristics

Frequency Range	10~50GHz
Insertion Loss	2.6dB max
(excluding theoretical loss 6.0dB)	
Amplitude Balance	±0.8dB
Phase Balance	±10°
VSWR(input port)	1.6:1 typ, 1.9:1 max
VSWR(output ports)	1.6:1 typ, 1.9:1 max
Isolation	14dB min
Impedance	50 Ohms
Power Rating	20W(as a splitter)
.....	1W(as a combiner)

Outline Drawing(mm[inch])



Mechanical & Environmental Characteristics

Dimensions	52 × 24 × 10mm
RF Connectors	2.4mm-Female
Surface Finishing	Black/Blue/Gray Paint
Operating Temperature	-32°C~+85°C