

REV	DESCRIPTION OF REVISION	By	DATE	APPROVED
A	INITIAL RELEASE	C. Cai	2025/2/6	C. Chen

TECHNICAL DATA

► Electrical Data

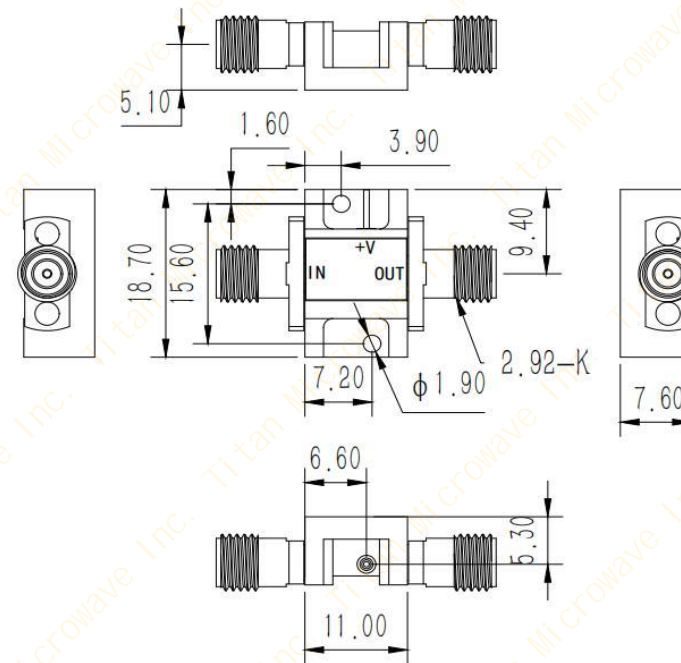
Frequency Range	18~40GHz
Output Power(P1dB)	+10dBm min
Gain	18dB min, 20dB typ
Noise Figure	5.0dB max
Impedance	50 Ohms
DC Power Supply	+12V typ,+15V max

► Mechanical Data

Dimensions	18.7×11×7.6mm
Input Connector	2.92mm-Female
Output Connector	2.92mm-Female
Power Supply Interface	Feedthru Capacitor
Surface Finish	Gold Plated

► Environmental Data

Operating Temperature	-55℃~+85℃
-----------------------	-----------



DRAWN: L. Ma 06/02/25		
ENGINEER: J. Zhu 06/02/25		
APPROVED: C. Chen 06/02/25		
TOLERANCE UNLESS OTHERWISE SPECIFIED		
x	±0.50	[0.019"]
.x	±0.20	[0.008"]
.xx	±0.10	[0.004"]
ANGLES	±1°	

TITLE:
 Low Noise Amplifier
 18-40GHz, Gain 18dB, P1dB
 10dBm, Noise Figure 5dB,
 +12V, 2.92mm-Female



www.titan-microwave.com



DIMENSIONS IN MILLIMETERS(mm)

PART No.:
 TMLA-18004000-1810-50

SIZE: A4	SCALE:	SHEET: 1/1	REV: A
--------------------	---------------	----------------------	------------------

Notes:

1. ALL SPECIFICATIONS ARE SUBJECT TO CHANGE WITHOUT NOTICE AT ANY TIME
2. CUSTOMER OUTLINE DRAWING FOR REFERENCE ONLY