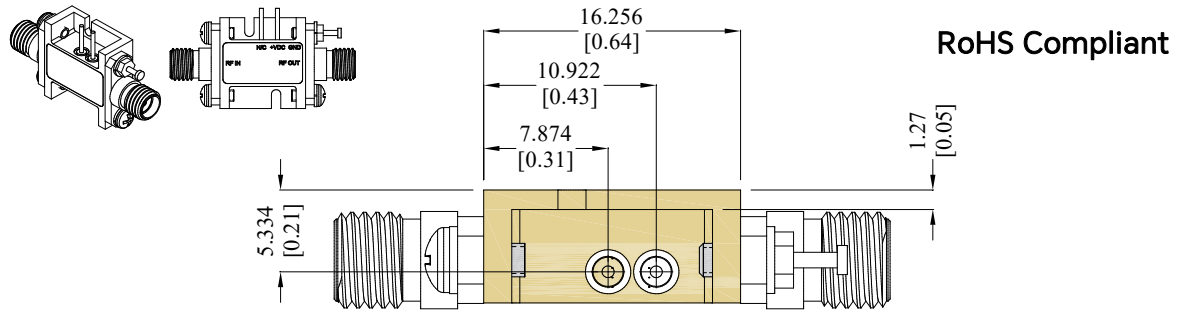


PART NUMBER
TMLA-02001800-2020-50

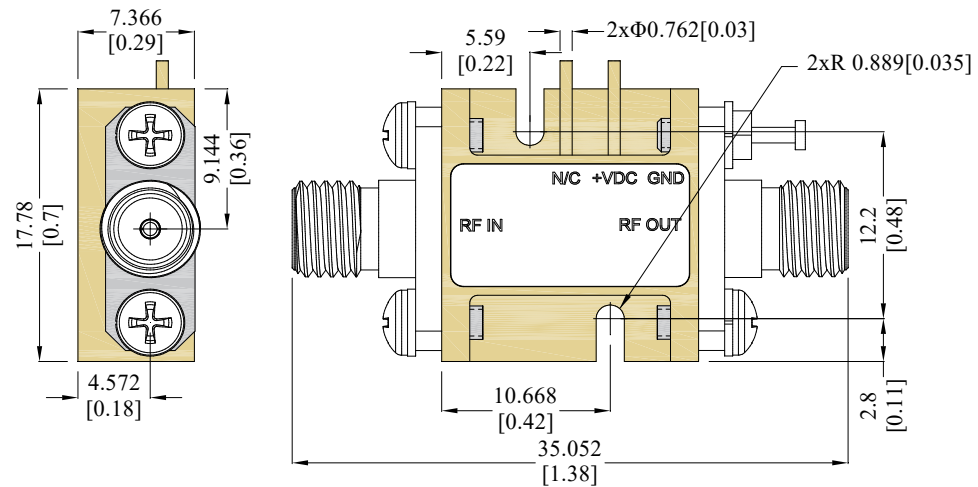
REV.	DATE	COMMENTS	INITIAL
1	2024/8/27	ENGINEERING RELEASE	

SPECIFICATIONS

Frequency Range	2~18GHz
Gain	20dB min
Gain Flatness	± 2.5dB max
P1dB	+20dBm min
Input & Output VSWR	2.5:1
RF Input Power	+15dBm max
Noise Figure	5.0dB max
Spurious	-60dBc max
Impedance	50 Ohms
Voltage/Current	+15V/200mA
Connectors	SMA-Female



RoHS Compliant



Drawing not to scale, units:mm



www.titan-microwave.com
 Tel: +86 130 866 58398
 Email: sales@titan-microwave.com
 chris@titan-microwave.com

PART NUMBER		DESCRIPTION Low Noise Amplifier, 2-18GHz, Gain 20dB P1dB 20dBm, N.F. 5dB max, +15V, SMA-Female
TMLA-02001800-2020-50		
CAGE CODE	SIGNATURE	
<p>EXCEPT AS OTHERWISE PROVIDED BY CONTRACTOR THIS DRAWING OR SPECIFICATION IS PROPERTY OF TITAN MICROWAVE INC. IT IS ISSUED IN STRICT CONFIDENCE AND SHALL NOT BE REPRODUCED OR USED AS THE BASIS.</p>		