

REV	DESCRIPTION OF REVISION	By	DATE	APPROVED
A	INITIAL RELEASE	C. Cai	2023/8/13	C. Chen

## TECHNICAL DATA

### ► Electrical Data

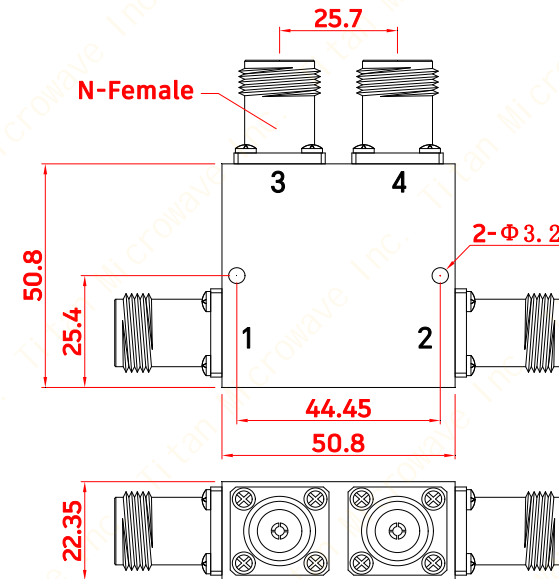
Frequency Range	20~678MHz
Nominal Coupling	9dB min, 10.5dB typ, 11dB max
Insertion Loss	1.3dB max
Main Line VSWR	1.35:1 max
Coupled Line VSWR	1.5:1 max
Directivity	18dB min
Impedance	50 Ohms
Average Power	100W(design assurance)

### ► Mechanical Data

Connectors	N-Female
Connectors Material	Stainless Steel
Surface Finish	White
Dimensions	50.8×50.8×22.35mm

### ► Environmental Data

Operating Temperature	-40℃~+85℃
-----------------------	-----------



Input Port	1	2
Output Port	2	1
Coupling Port	3	4
Isolated Port	4	3

DRAWN: L. Ma 13/8/23		
ENGINEER: J. Zhu 13/8/23		
APPROVED: C. Chen 13/8/23		
TOLERANCE UNLESS OTHERWISE SPECIFIED		
x	±0.50	[0.019"]
.x	±0.20	[0.008"]
.xx	±0.10	[0.004"]
ANGLES	±1°	

**TITLE:**  
 Directional Coupler  
 20-678MHz,  
 Coupling 10.5dB, 100W  
 N-Female



[www.titan-microwave.com](http://www.titan-microwave.com)

**PART No.:**  
 TMDC-20M678M-10N100



DIMENSIONS IN MILLIMETERS(mm)

SIZE: A4	SCALE:	SHEET: 1/1	REV: A
-------------	--------	---------------	-----------

**Notes:**

- ALL SPECIFICATIONS ARE SUBJECT TO CHANGE WITHOUT NOTICE AT ANY TIME
- CUSTOMER OUTLINE DRAWING FOR REFERENCE ONLY