

REV	DESCRIPTION OF REVISION	By	DATE	APPROVED
A	INITIAL RELEASE	C. Cai	2023/3/18	C. Chen

## TECHNICAL DATA

### ► Electrical Data

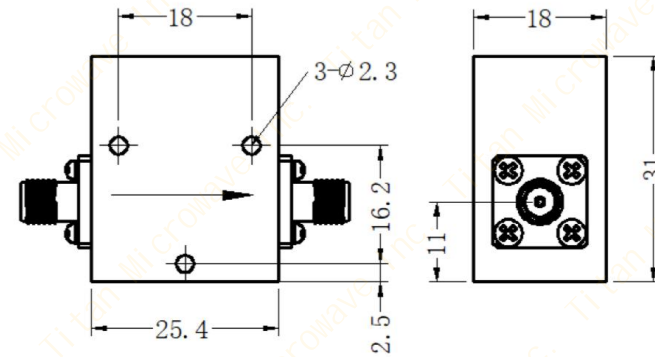
Frequency Range	4000~8000MHz
Insertion Loss	0.5dB max
VSWR	1.25:1 typ, 1.4:1 max
Isolation	18dB min, 20dB typ
Impedance	50 Ohms
Forward Power	20W
Reflected Power	2W
Direction	Left to Right

### ► Mechanical Data

Dimensions	25.4×31×18mm
Connectors	SMA-Female
Weight	54g

### ► Environmental Data

Temperature Range	-30℃~+60℃(design assurance)
-------------------	-----------------------------



DRAWN: L. Ma 19/03/23		
ENGINEER: J. Zhu 19/03/23		
APPROVED: C. Chen 19/03/23		
TOLERANCE UNLESS OTHERWISE SPECIFIED		
x	±0.50	[0.019"]
.x	±0.20	[0.008"]
.xx	±0.10	[0.004"]
ANGLES	±1°	

**TITLE:**  
Coaxial Isolator,  
4~8GHz, 20W,  
SMA-Female

**PART No.:**  
TMCI-04000800-20S



[www.titan-microwave.com](http://www.titan-microwave.com)



DIMENSIONS IN MILLIMETERS(mm)

SIZE: A4	SCALE:	SHEET: 1/1	REV: A
-------------	--------	---------------	-----------

#### Notes:

1. ALL SPECIFICATIONS ARE SUBJECT TO CHANGE WITHOUT NOTICE AT ANY TIME
2. CUSTOMER OUTLINE DRAWING FOR REFERENCE ONLY