

REV	DESCRIPTION OF REVISION	By	DATE	APPROVED
A	INITIAL RELEASE	C. Cai	2023/3/18	C. Chen

TECHNICAL DATA

► Electrical Data

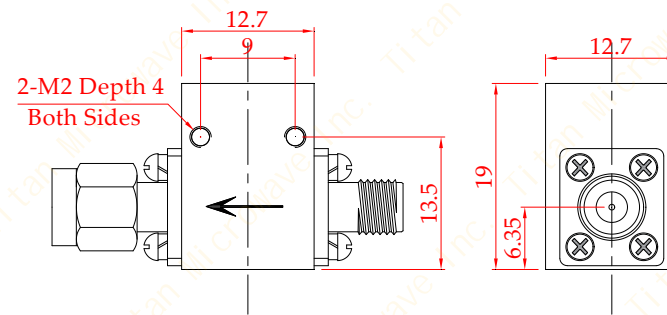
Frequency Range	9~10GHz
Insertion Loss	0.5dB max
VSWR	1.2:1 max
Isolation	20dB min
Impedance	50 Ohms
Forward Power	20W
Reflected Power	5W
Direction	Right to Left

► Mechanical Data

Dimensions	12.7×19×12.7mm
Connectors	SMA-Male & Female
Weight	5g



► Environmental Data

Temperature Range	-40℃~+85℃(design assurance)
-------------------	-----------------------------



Notes:

- ALL SPECIFICATIONS ARE SUBJECT TO CHANGE WITHOUT NOTICE AT ANY TIME
- CUSTOMER OUTLINE DRAWING FOR REFERENCE ONLY

DRAWN: L. Ma 19/03/23	TITLE: Coaxial Isolator, 9~10GHz, 20W, SMA-Male & Female	 成都巨人微波 TITAN MICROWAVE INC. <small>- A Professional RF & Microwave Components Supplier -</small>															
ENGINEER: J. Zhu 19/03/23				www.titan-microwave.com													
APPROVED: C. Chen 19/03/23		 DIMENSIONS IN MILLIMETERS(mm)															
TOLERANCE UNLESS OTHERWISE SPECIFIED	PART No.:	SIZE:	SCALE:	SHEET:	REV:												
<table> <tr> <td>x</td> <td>±0.50</td> <td>[0.019"]</td> </tr> <tr> <td>.x</td> <td>±0.20</td> <td>[0.008"]</td> </tr> <tr> <td>.xx</td> <td>±0.10</td> <td>[0.004"]</td> </tr> <tr> <td>ANGLES</td> <td>±1°</td> <td></td> </tr> </table>	x	±0.50	[0.019"]	.x	±0.20	[0.008"]	.xx	±0.10	[0.004"]	ANGLES	±1°		TMCI-09001000-20S	A4		1/1	A
x	±0.50	[0.019"]															
.x	±0.20	[0.008"]															
.xx	±0.10	[0.004"]															
ANGLES	±1°																