

REV	DESCRIPTION OF REVISION	By	DATE	APPROVED
A	INITIAL RELEASE	C. Cai	2023/3/18	C. Chen

TECHNICAL DATA

► Electrical Data

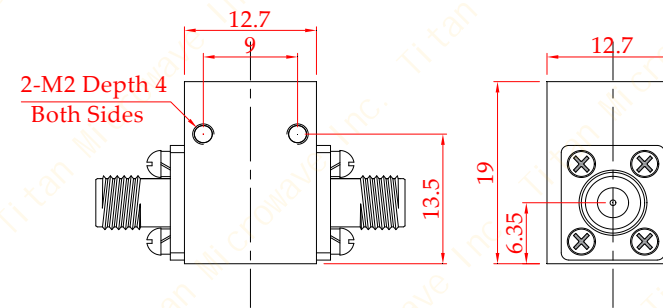
Frequency Range	8~12GHz
Insertion Loss	0.6dB max
VSWR	1.35:1 max
Isolation	20dB min, 22dB typ
Impedance	50 Ohms
Forward Power	15W
Reflected Power	2W
Direction	Anti-clockwise

► Mechanical Data

Dimensions	12.7×19×12.7mm
Connectors	SMA-Female
Weight	16g

► Environmental Data

Temperature Range	-30℃~+70℃(design assurance)
-------------------	-----------------------------



DRAWN: L. Ma 19/03/23		
ENGINEER: J. Zhu 19/03/23		
APPROVED: C. Chen 19/03/23		
TOLERANCE UNLESS OTHERWISE SPECIFIED		
x	±0.50	[0.019"]
.x	±0.20	[0.008"]
.xx	±0.10	[0.004"]
ANGLES	±1°	

TITLE:	Coaxial Isolator, 8~12GHz, 15W, SMA-Female, Anti-clockwise
PART No.:	TMCI-08001200-15S

成都巨人微波
TITAN MICROWAVE INC.
- A Professional RF & Microwave Components Supplier -

www.titan-microwave.com

⊕ ⊖ DIMENSIONS IN MILLIMETERS(mm)

SIZE: A4	SCALE:	SHEET: 1/1	REV: A
-------------	--------	---------------	-----------

Notes:

- ALL SPECIFICATIONS ARE SUBJECT TO CHANGE WITHOUT NOTICE AT ANY TIME
- CUSTOMER OUTLINE DRAWING FOR REFERENCE ONLY