

REV	DESCRIPTION OF REVISION	By	DATE	APPROVED
A	INITIAL RELEASE	C. Cai	2023/3/18	C. Chen

TECHNICAL DATA

► Electrical Data

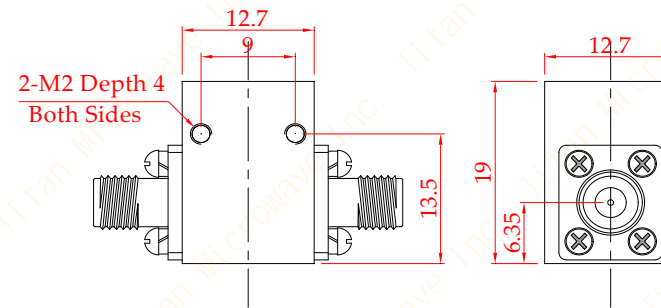
Frequency Range	6~10.2GHz
Insertion Loss	0.6dB max
VSWR	1.35:1 max
Isolation	17dB min
Impedance	50 Ohms
Forward Power	15W
Reflected Power	2W
Direction	Anti-clockwise

► Mechanical Data

Dimensions	12.7×19×12.7mm
Connectors	SMA-Female
Weight	16g

► Environmental Data

Temperature Range	-30℃~+70℃(design assurance)
-------------------	-----------------------------





Notes:

1. ALL SPECIFICATIONS ARE SUBJECT TO CHANGE WITHOUT NOTICE AT ANY TIME
2. CUSTOMER OUTLINE DRAWING FOR REFERENCE ONLY

DRAWN: L. Ma 19/03/23		
ENGINEER: J. Zhu 19/03/23		
APPROVED: C. Chen 19/03/23		
TOLERANCE UNLESS OTHERWISE SPECIFIED		
x	±0.50	[0.019"]
.x	±0.20	[0.008"]
.xx	±0.10	[0.004"]
ANGLES	±1°	

TITLE: Coaxial Isolator, 6~10.5GHz, 15W, SMA-Female, Anti-clockwise
PART No.: TMCI-06001020-15S

 <p>成都巨人微波 TITAN MICROWAVE INC. - A Professional RF & Microwave Components Supplier -</p> <p>www.titan-microwave.com</p>			
 <p>DIMENSIONS IN MILLIMETERS(mm)</p>			
SIZE: A4	SCALE:	SHEET: 1/1	REV: A