

REV	DESCRIPTION OF REVISION	By	DATE	APPROVED
A	INITIAL RELEASE	C. Cai	2023/3/18	C. Chen

TECHNICAL DATA

► Electrical Data

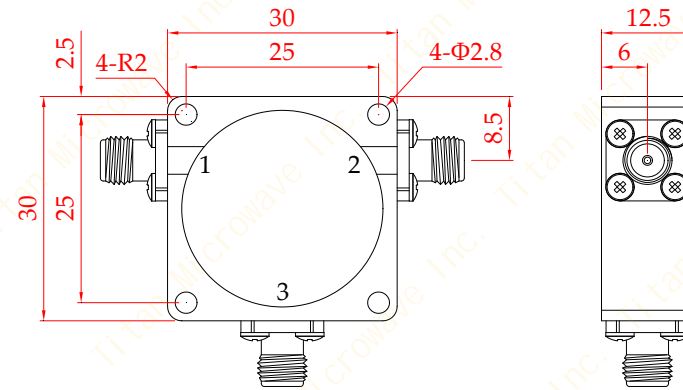
Frequency Range	2000~6000MHz
Insertion Loss	1.1dB max
VSWR	1.7:1 max
Isolation	11dB typ
Impedance	50 Ohms
Forward Power	20W(design assurance)
Reflected Power	20W(design assurance)
Direction	Clockwise

► Mechanical Data

Dimensions	30×30×12.5mm
Connectors	SMA-Female
Weight	30g

► Environmental Data

Temperature Range	-10℃~+60℃(design assurance)
-------------------	-----------------------------



Notes:

- ALL SPECIFICATIONS ARE SUBJECT TO CHANGE WITHOUT NOTICE AT ANY TIME
- CUSTOMER OUTLINE DRAWING FOR REFERENCE ONLY

DRAWN: L. Ma 19/03/23		
ENGINEER: J. Zhu 19/03/23		
APPROVED: C. Chen 19/03/23		
TOLERANCE UNLESS OTHERWISE SPECIFIED		
x	±0.50	[0.019"]
.x	±0.20	[0.008"]
.xx	±0.10	[0.004"]
ANGLES	±1°	

TITLE:
Coaxial Circulator,
2~6GHz, 20W,
SMA-Female

PART No.:
TMCC-02000600-20S



www.titan-microwave.com



DIMENSIONS IN MILLIMETERS(mm)

SIZE: A4	SCALE:	SHEET: 1/1	REV: A
-------------	--------	---------------	-----------