

REV	DESCRIPTION OF REVISION	By	DATE	APPROVED
A	INITIAL RELEASE	C. Cai	2022/7/12	C. Chen

TECHNICAL DATA

► Electrical Data

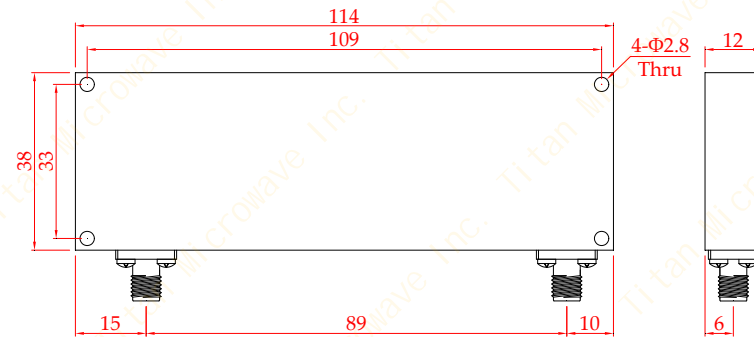
Passband Frequency Range	500~2000MHz
Passband Insertion Loss	≤2.0dB
Passband VSWR	≤1.8:1
Passband Ripple	≤1.5dB
Stopband Rejection	≥70dB@DC~350MHz ≥75dB@2500~5000MHz
Power Handling	1W(design assurance)
Impedance	50 Ohms

► Mechanical Data

Dimensions	114×38×12mm
Connectors	SMA-Female
Material	Aluminum
Surface Finish	Gray Painted
Weight	145g

► Environmental Data

Operating Temperature	-40℃~+70℃(design assurance)
Storage Temperature	-55℃~+85℃(design assurance)



Notes:

- ALL SPECIFICATIONS ARE SUBJECT TO CHANGE WITHOUT NOTICE AT ANY TIME
- CUSTOMER OUTLINE DRAWING FOR REFERENCE ONLY

DRAWN: L. Ma 12/07/22		
ENGINEER: J. Zhu 12/07/22		
APPROVED: C. Chen 12/07/22		
TOLERANCE UNLESS OTHERWISE SPECIFIED		
x	±0.50	[0.019"]
.x	±0.20	[0.008"]
.xx	±0.10	[0.004"]
ANGLES	±1°	

TITLE:
Band Pass Filter,
0.5~2GHz, 70dB, 1W,
SMA-Female

PART No.:
TBF-00500200-70S



www.titan-microwave.com



DIMENSIONS IN MILLIMETERS(mm)

SIZE: A4	SCALE:	SHEET: 1/1	REV: A
-------------	--------	---------------	-----------