

REV	DESCRIPTION OF REVISION	By	DATE	APPROVED
A	INITIAL RELEASE	C. Cai	2022/7/12	C. Chen

## TECHNICAL DATA

### ► Electrical Data

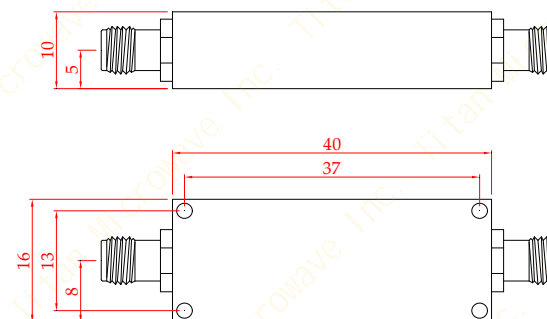
Passband Frequency Range	300~800MHz
Passband Insertion Loss	≤1.0dB
Passband VSWR	≤1.5:1
Passband Ripple	≤1.0dB
Stopband Rejection	≥65dB@DC~250MHz
Power Handling	5W(design assurance)
Impedance	50 Ohms

### ► Mechanical Data

Dimensions	40×16×10mm
Connectors	SMA-Female
Material	Aluminum 6061
Surface Finish	Silver Plated

### ► Environmental Data

Operating Temperature	-40℃~+70℃(design assurance)
Storage Temperature	-55℃~+85℃(design assurance)



DRAWN: L. Ma 12/07/22		
ENGINEER: J. Zhu 12/07/22		
APPROVED: C. Chen 12/07/22		
TOLERANCE UNLESS OTHERWISE SPECIFIED		
x	±0.50	[0.019"]
.x	±0.20	[0.008"]
.xx	±0.10	[0.004"]
ANGLES	±1°	

**TITLE:**  
High Pass Filter,  
0.3-0.8GHz, 65dB, 5W,  
SMA-Female



[www.titan-microwave.com](http://www.titan-microwave.com)

**PART No.:**  
TBF-00300080-65S



DIMENSIONS IN MILLIMETERS(mm)

SIZE: A4	SCALE:	SHEET: 1/1	REV: A
-------------	--------	---------------	-----------

#### Notes:

- ALL SPECIFICATIONS ARE SUBJECT TO CHANGE WITHOUT NOTICE AT ANY TIME
- CUSTOMER OUTLINE DRAWING FOR REFERENCE ONLY