

REV	DESCRIPTION OF REVISION	By	DATE	APPROVED
A	INITIAL RELEASE	C. Cai	2023/3/18	C. Chen

TECHNICAL DATA

► Electrical Data

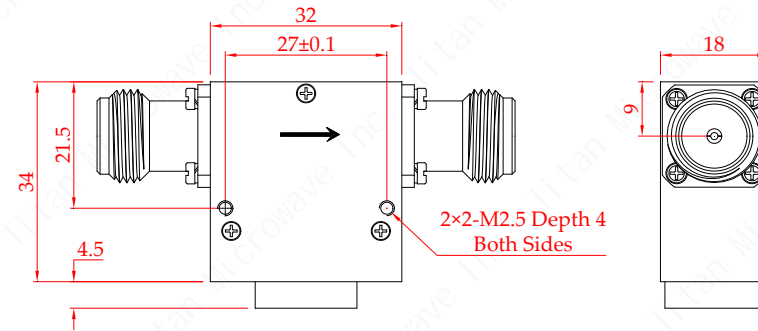
Frequency Range	2000~4000MHz
Insertion Loss	0.6dB max
VSWR	1.35:1 max
Isolation	18dB min
Impedance	50 Ohms
Forward Power	20W
Reflected Power	10W
Direction	Clockwise

► Mechanical Data

Dimensions	32×34×18mm
Connectors	N-Female
Weight	116g

► Environmental Data

Temperature Range	0℃~+60℃(design assurance)
-------------------	---------------------------



DRAWN: L. Ma 19/03/23		
ENGINEER: J. Zhu 19/03/23		
APPROVED: C. Chen 19/03/23		
TOLERANCE UNLESS OTHERWISE SPECIFIED		
x	±0.50	[0.019"]
.x	±0.20	[0.008"]
.xx	±0.10	[0.004"]
ANGLES	±1°	

TITLE:

Coaxial Isolator,
2~4GHz, 20W,
N-Female

PART No.:

TMCI-02000400-20N



www.titan-microwave.com



DIMENSIONS IN MILLIMETERS(mm)

SIZE:
A4

SCALE:

SHEET:
1/1

REV:
A

Notes:

- ALL SPECIFICATIONS ARE SUBJECT TO CHANGE WITHOUT NOTICE AT ANY TIME
- CUSTOMER OUTLINE DRAWING FOR REFERENCE ONLY