

REV	DESCRIPTION OF REVISION	By	DATE	APPROVED
A	INITIAL RELEASE	C. Cai	2022/5/17	C. Chen

TECHNICAL DATA

► Electrical Data

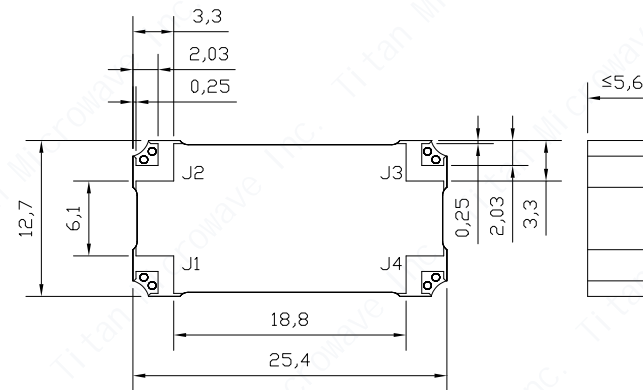
Frequency Range	1000~3000MHz
Insertion Loss	0.3dB max
VSWR	1.3:1 max
Isolation	17dB min
Phase Balance	±5° max
Amplitude Balance	±1.1dB max
Power Handling	400W(CW)

► Mechanical Data

Dimensions	25.4×12.7×5.6mm
Connector Type	SMD
Surface Finish	Gold Plated

► Environmental Data

Operating Temperature	-55℃~+85℃
-----------------------	-----------



INPUT	J1	J2	J3	J4
J1	-----	-3dB<0DEG	-3dB<-90DEG	ISOLATION
J2	-3dB<0DEG	-----	ISOLATION	-3dB<-90DEG
J3	-3dB<-90DEG	ISOLATION	-----	-3dB<0DEG
J4	ISOLATION	-3dB<-90DEG	-3dB<0DEG	-----

DRAWN: L. Ma 17/05/22		
ENGINEER: J. Zhu 17/05/22		
APPROVED: C. Chen 17/05/22		
TOLERANCE UNLESS OTHERWISE SPECIFIED		
x	±0.50	[0.019"]
.x	±0.20	[0.008"]
.xx	±0.10	[0.004"]
ANGLES	±1°	

TITLE:
SMD 90 Degree Hybrid
Coupler, 3dB, 1-3GHz,
400W

PART No.:
TM0170-3-400

成都巨人微波
TITAN MICROWAVE INC.
- A Professional RF & Microwave Components Supplier -

www.titan-microwave.com



DIMENSIONS IN MILLIMETERS(mm)

SIZE: A4	SCALE:	SHEET: 1/1	REV: A
-------------	--------	---------------	-----------

Notes:

- ALL SPECIFICATIONS ARE SUBJECT TO CHANGE WITHOUT NOTICE AT ANY TIME
- CUSTOMER OUTLINE DRAWING FOR REFERENCE ONLY