

REV	DESCRIPTION OF REVISION	By	DATE	APPROVED
A	INITIAL RELEASE	C. Cai	2022/4/16	C. Chen

TECHNICAL DATA

► Electrical Data

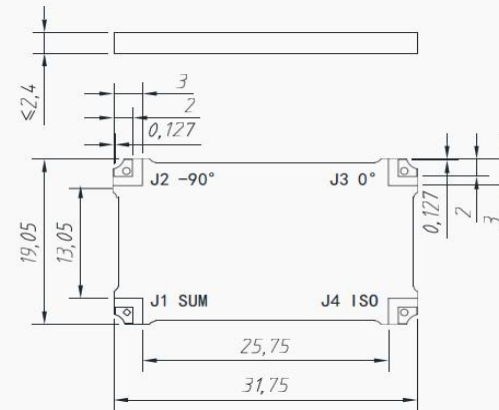
Frequency Range	1000~6000MHz
Insertion Loss	0.9dB max
VSWR	1.3:1 max
Isolation	16dB min, 18dB typ
Phase Balance	±6° max
Amplitude Balance	±0.8dB max@1-4GHz, ±0.5dB max@4-6GHz
Power Handling	100W(CW)

► Mechanical Data

Dimensions	31.75×19.05×2.4mm
Connector Type	SMD
Surface Finish	Gold Plated

► Environmental Data

Operating Temperature	-55℃~+85℃
-----------------------	-----------



INPUT	J1	J2	J3	J4
J1	-----	-3dB<-90DEG	-3dB<0DEG	ISOLATION
J2	-3dB<-90DEG	---	ISOLATION	-3dB<0DEG
J3	-3dB<0DEG	ISOLATION	-----	-3dB<-90DEG
J4	ISOLATION	-3dB<0DEG	-3dB<-90DEG	-----

DRAWN: L. Ma 16/04/22		
ENGINEER: J. Zhu 16/04/22		
APPROVED: C. Chen 16/04/22		
TOLERANCE UNLESS OTHERWISE SPECIFIED		
x	±0.50	[0.019"]
.x	±0.20	[0.008"]
.xx	±0.10	[0.004"]
ANGLES	±1°	

TITLE:
SMD 90 Degree Hybrid
Coupler, 3dB, 1-6GHz,
100W

PART No.:
TM0187-3-100

成都巨人微波
TITAN MICROWAVE INC.
- A Professional RF & Microwave Components Supplier -

www.titan-microwave.com



DIMENSIONS IN MILLIMETERS(mm)

SIZE: A4	SCALE:	SHEET: 1/1	REV: A
-------------	--------	---------------	-----------

Notes:

- ALL SPECIFICATIONS ARE SUBJECT TO CHANGE WITHOUT NOTICE AT ANY TIME
- CUSTOMER OUTLINE DRAWING FOR REFERENCE ONLY