

REV	DESCRIPTION OF REVISION	By	DATE	APPROVED
A	INITIAL RELEASE	C. Cai	2022/12/21	C. Chen

TECHNICAL DATA

Electrical Data

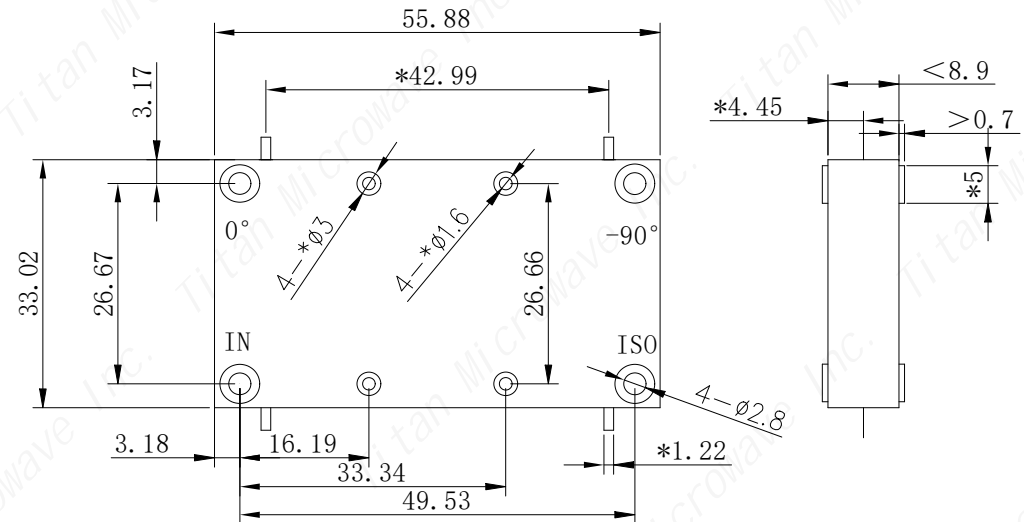
Frequency Range	400-2500MHz
Insertion Loss	0.5dB max
VSWR	1.3 max
Isolation	17dB min
Amplitude Balance	±0.8dB max
Phase Balance	±5° max
Power Rating	200W

Mechanical Data

Connectors	Drop-in
Dimensions	55.88×33.02×8.9mm (* design assurance)
Surface Finish	Natural Colour Conductive Oxidation

Environmental Data

Operating Temperature	-55℃~+85℃
-----------------------	-----------



DRAWN: L. Ma 21/12/22		
ENGINEER: J. Zhu 21/12/22		
APPROVED: C. Chen 21/12/22		
TOLERANCE UNLESS OTHERWISE SPECIFIED		
x	±0.50	[0.019"]
.x	±0.20	[0.008"]
.xx	±0.10	[0.004"]
ANGLES	±1°	

TITLE:
Drop-in 90 Deg. Hybrid
Coupler, 0.4~2.5GHz,
200W

PART No.:
TMF010604-3



www.titan-microwave.com



DIMENSIONS IN MILLIMETERS(mm)

SIZE: A4	SCALE:	SHEET: 1/1	REV: A
-------------	--------	---------------	-----------

Notes:

- ALL SPECIFICATIONS ARE SUBJECT TO CHANGE WITHOUT NOTICE AT ANY TIME
- CUSTOMER OUTLINE DRAWING FOR REFERENCE ONLY