

REV	DESCRIPTION OF REVISION	By	DATE	APPROVED
A	INITIAL RELEASE	C. Cai	2022/5/14	C. Chen

## TECHNICAL DATA

### Electrical Data

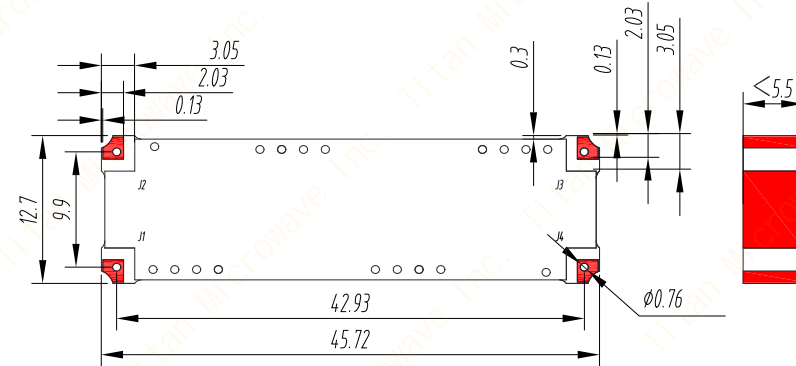
Frequency Range	500~2700MHz
Insertion Loss	≤0.6dB typical
VSWR	≤1.3:1
Isolation	≥18dB
Phase Balance	≤±5°
Amplitude Unbalance	≤±0.8dB
Power Handling	100W(CW)

### Mechanical Data

Dimensions	45.72×12.7×5.5mm
Connector Type	SMD
Surface Finish	Gold Plated

### Environmental Data

Operating Temperature	-55℃~+85℃
-----------------------	-----------



INPUT	J1	J2	J3	J4
J1	-----	-3dB<0DEG	-3dB<-90DEG	ISOLATION
J2	-3dB<0DEG	-----	ISOLATION	-3dB<-90DEG
J3	-3dB<-90DEG	ISOLATION	-----	-3dB<0DEG
J4	ISOLATION	-3dB<-90DEG	-3dB<0DEG	-----

DRAWN: L. Ma 14/05/22		
ENGINEER: J. Zhu 14/05/22		
APPROVED: C. Chen 14/05/22		
TOLERANCE UNLESS OTHERWISE SPECIFIED		
x	±0.50	[0.019"]
.x	±0.20	[0.008"]
.xx	±0.10	[0.004"]
ANGLES	±1°	

TITLE:  
SMD 3dB 90° High Power  
Hybrid Coupler, 0.5-  
2.7GHz, 100W

PART No.:  
TM0166-3

成都巨人微波  
**TITAN MICROWAVE INC.**  
- A Professional RF & Microwave Components Supplier -

[www.titan-microwave.com](http://www.titan-microwave.com)



DIMENSIONS IN MILLIMETERS(mm)

SIZE: A4	SCALE:	SHEET: 1/1	REV: A
-------------	--------	---------------	-----------

#### Notes:

- ALL SPECIFICATIONS ARE SUBJECT TO CHANGE WITHOUT NOTICE AT ANY TIME
- CUSTOMER OUTLINE DRAWING FOR REFERENCE ONLY