

REV	DESCRIPTION OF REVISION	By	DATE	APPROVED
A	INITIAL RELEASE	C. Cai	2023/2/15	C. Chen

TECHNICAL DATA

► Electrical Data

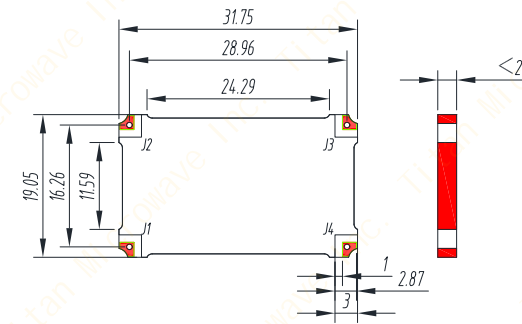
Frequency Range	500~3000MHz
Insertion Loss	≤0.6dB typical
VSWR	≤1.3:1
Isolation	≥18dB
Phase Balance	≤±5°
Amplitude Unbalance	≤±0.8dB
Power Handling	200W(CW)

► Mechanical Data

Dimensions	31.75×19.05×2.5mm
Connector Type	SMD
Surface Finish	Gold Plated

► Environmental Data

Operating Temperature	-55℃~+85℃
-----------------------	-----------



INPUT	J1	J2	J3	J4
J1	-----	-3dB<0DEG	-3dB<90DEG	ISOLATION
J2	-3dB<0DEG	-----	ISOLATION	-3dB<90DEG
J3	-3dB<90DEG	ISOLATION	-----	-3dB<0DEG
J4	ISOLATION	-3dB<90DEG	-3dB<0DEG	-----

DRAWN: L. Ma 15/02/23		
ENGINEER: J. Zhu 15/02/23		
APPROVED: C. Chen 15/02/23		
TOLERANCE UNLESS OTHERWISE SPECIFIED		
x	±0.50	[0.019"]
.x	±0.20	[0.008"]
.xx	±0.10	[0.004"]
ANGLES	±1°	

TITLE:
SMD 3dB 90° High Power
Hybrid Coupler
0.5-3GHz, 200W

PART No.:
TM010601-3C



www.titan-microwave.com



DIMENSIONS IN MILLIMETERS(mm)

SIZE: A4	SCALE:	SHEET: 1/1	REV: A
-------------	--------	---------------	-----------

Notes:

- ALL SPECIFICATIONS ARE SUBJECT TO CHANGE WITHOUT NOTICE AT ANY TIME
- CUSTOMER OUTLINE DRAWING FOR REFERENCE ONLY