

REV	DESCRIPTION OF REVISION	By	DATE	APPROVED
A	INITIAL RELEASE	C. Cai	2022/3/15	C. Chen

TECHNICAL DATA

► Electrical Data

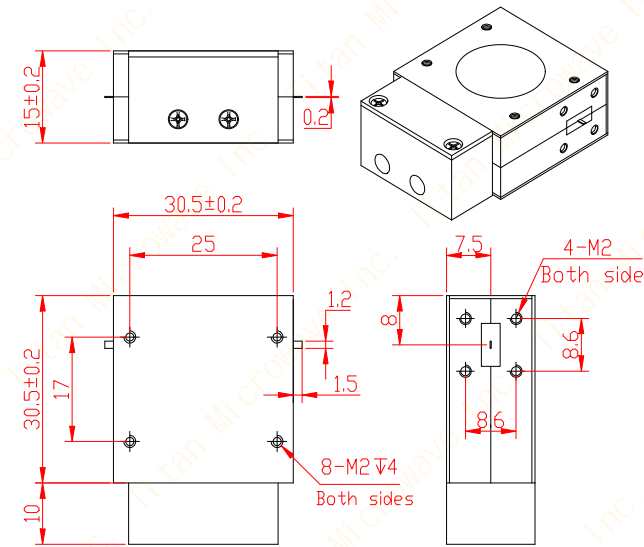
Frequency Range	2000~6000MHz
Insertion Loss	0.85dB max@25°C, 1.7dB max@-40°C~+70°C
VSWR	1.5:1 max@25°C, 1.6:1 max@-40°C~+70°C
Reverse Isolation	12dB min
Forward Power	100W
Reverse Power	100W

► Mechanical Data

Dimensions	30.5×30.5×15mm
Connector Type	Stripline
Surface Finish	Conductive Oxidation

► Environmental Data

Operating Temperature	-40°C~+70°C
-----------------------	-------------



Notes:

1. ALL SPECIFICATIONS ARE SUBJECT TO CHANGE WITHOUT NOTICE AT ANY TIME
2. CUSTOMER OUTLINE DRAWING FOR REFERENCE ONLY

DRAWN: L. Ma 15/03/22		
ENGINEER: J. Zhu 15/03/22		
APPROVED: C. Chen 15/03/22		
TOLERANCE UNLESS OTHERWISE SPECIFIED		
x	±0.50	[0.019"]
.x	±0.20	[0.008"]
.xx	±0.10	[0.004"]
ANGLES	±1°	

TITLE:
Drop-in Isolator
2-6GHz, 100W, Clockwise

PART No.:
TMDI-02000600-100



www.titan-microwave.com



DIMENSIONS IN MILLIMETERS(mm)

SIZE: A4	SCALE:	SHEET: 1/1	REV: A
-------------	--------	---------------	-----------