

REV	DESCRIPTION OF REVISION	By	DATE	APPROVED
A	INITIAL RELEASE	C. Cai	2023/3/18	C. Chen

TECHNICAL DATA

► Electrical Data

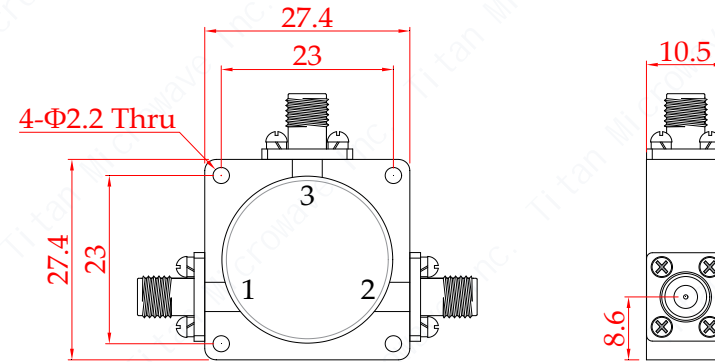
Frequency Range	750~960MHz
Insertion Loss	0.5dB max
VSWR	1.3:1 max
Isolation	17dB min
Impedance	50 Ohms
Forward Power	100W(design assurance)
Direction	Anti-clockwise

► Mechanical Data

Dimensions	27.4×27.4×10.5mm
Connectors	SMA-Female
Connectors Material	Copper
Weight	55g



► Environmental Data

Temperature Range	-40℃~+70℃(design assurance)
-------------------	-----------------------------



Notes:

- ALL SPECIFICATIONS ARE SUBJECT TO CHANGE WITHOUT NOTICE AT ANY TIME
- CUSTOMER OUTLINE DRAWING FOR REFERENCE ONLY

DRAWN: L. Ma 19/03/23	TITLE: Coaxial Circulator, 0.75~0.96GHz, 100W, Anti-clockwise, SMA-Female	 成都巨人微波 TITAN MICROWAVE INC. <small>- A Professional RF & Microwave Components Supplier -</small>				
ENGINEER: J. Zhu 19/03/23				www.titan-microwave.com		
APPROVED: C. Chen 19/03/23		 DIMENSIONS IN MILLIMETERS(mm)				
TOLERANCE UNLESS OTHERWISE SPECIFIED		PART No.: TMCC-00750096-100S	SIZE: A4	SCALE:	SHEET: 1/1	REV: A
x	±0.50 [0.019"]					
.x	±0.20 [0.008"]					
.xx	±0.10 [0.004"]					
ANGLES	±1°					