

REV	DESCRIPTION OF REVISION	By	DATE	APPROVED
A	INITIAL RELEASE	C. Cai	2023/3/18	C. Chen

TECHNICAL DATA

► Electrical Data

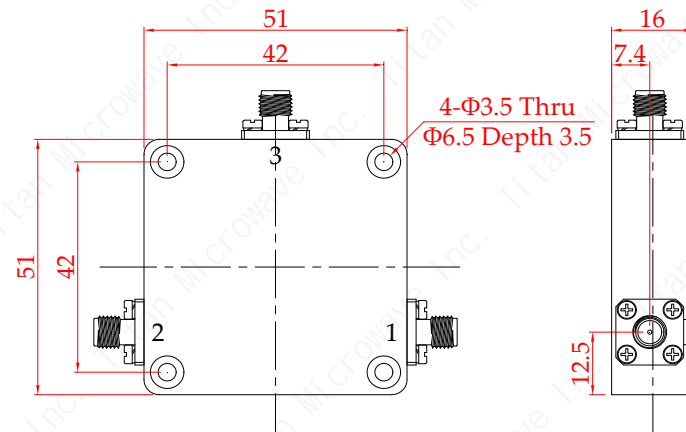
Frequency Range	200~240MHz
Insertion Loss	0.6dB max
VSWR	1.35:1 max
Isolation	16dB min
Impedance	50 Ohms
Forward Power	200W(design assurance)
Direction	Anti-Clockwise

► Mechanical Data

Dimensions	51×51×16mm
Connectors	SMA-Female
Connectors Material	Copper
Weight	260g

► Environmental Data

Temperature Range	-10℃~+60℃(design assurance)
-------------------	-----------------------------



DRAWN: L. Ma 19/03/23		
ENGINEER: J. Zhu 19/03/23		
APPROVED: C. Chen 19/03/23		
TOLERANCE UNLESS OTHERWISE SPECIFIED		
x	±0.50	[0.019"]
.x	±0.20	[0.008"]
.xx	±0.10	[0.004"]
ANGLES	±1°	

TITLE:
Coaxial Circulator,
0.2~0.24GHz, 200W,
Anti-Clockwise,
SMA-Female

PART No.:
TMCC-00200024-200S



www.titan-microwave.com



DIMENSIONS IN MILLIMETERS(mm)

SIZE: A4	SCALE:	SHEET: 1/1	REV: A
-------------	--------	---------------	-----------

Notes:

- ALL SPECIFICATIONS ARE SUBJECT TO CHANGE WITHOUT NOTICE AT ANY TIME
- CUSTOMER OUTLINE DRAWING FOR REFERENCE ONLY