

| REV | DESCRIPTION OF REVISION | By | DATE | APPROVED |
|-----|-------------------------|--------|-----------|----------|
| A | INITIAL RELEASE | C. Cai | 2023/3/18 | C. Chen |

TECHNICAL DATA

► Electrical Data

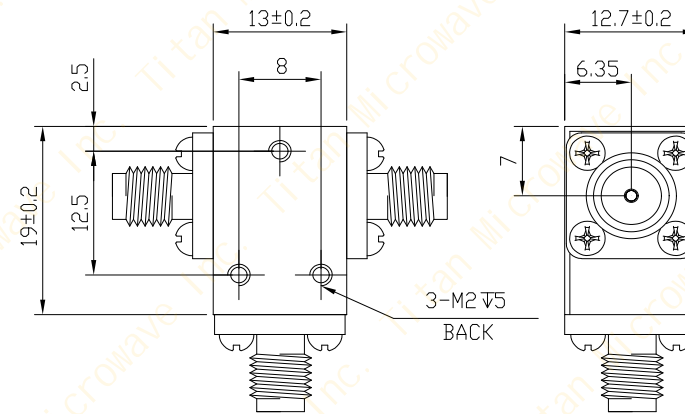
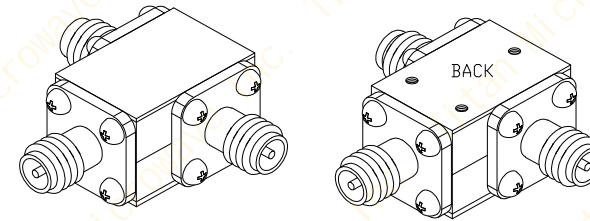
| | |
|-----------------|--------------|
| Frequency Range | 8.55~9.35GHz |
| Insertion Loss | 0.4dB max |
| VSWR | 1.25:1 max |
| Isolation | 20dB min |
| Impedance | 50 Ohms |
| Forward Power | 30W |
| Direction | Clockwise |

► Mechanical Data

| | |
|---------------------|----------------------|
| Dimensions | 13×19×12.7mm |
| Connectors | SMA-Female |
| Connectors Material | Copper |
| Housing Material | Aluminum |
| Surface Finish | Conductive Oxidation |
| Weight | 20g |

► Environmental Data

| | |
|---------------------|-----------|
| Temperature Range | 0℃~+60℃ |
| Storage Temperature | -50℃~+90℃ |

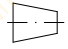


| | | |
|--------------------------------------|-------|----------|
| DRAWN: L. Ma 19/03/23 | | |
| ENGINEER: J. Zhu 19/03/23 | | |
| APPROVED: C. Chen 19/03/23 | | |
| TOLERANCE UNLESS OTHERWISE SPECIFIED | | |
| x | ±0.50 | [0.019"] |
| .x | ±0.20 | [0.008"] |
| .xx | ±0.10 | [0.004"] |
| ANGLES | ±1° | |

| | |
|-----------|---|
| TITLE: | Coaxial Circulator, 8.55~9.35GHz, 30W, Clockwise, SMA-Female |
| PART No.: | TMCC-08550935-30S |


成都巨人微波
TITAN MICROWAVE INC.
- A Professional RF & Microwave Components Supplier -

www.titan-microwave.com



 DIMENSIONS IN MILLIMETERS(mm)

| | | | |
|-------|--------|--------|------|
| SIZE: | SCALE: | SHEET: | REV: |
| A4 | | 1/1 | A |

Notes:

- ALL SPECIFICATIONS ARE SUBJECT TO CHANGE WITHOUT NOTICE AT ANY TIME
- CUSTOMER OUTLINE DRAWING FOR REFERENCE ONLY