

| REV | DESCRIPTION OF REVISION | By     | DATE      | APPROVED |
|-----|-------------------------|--------|-----------|----------|
| A   | INITIAL RELEASE         | C. Cai | 2023/3/18 | C. Chen  |

## TECHNICAL DATA

### ► Electrical Data

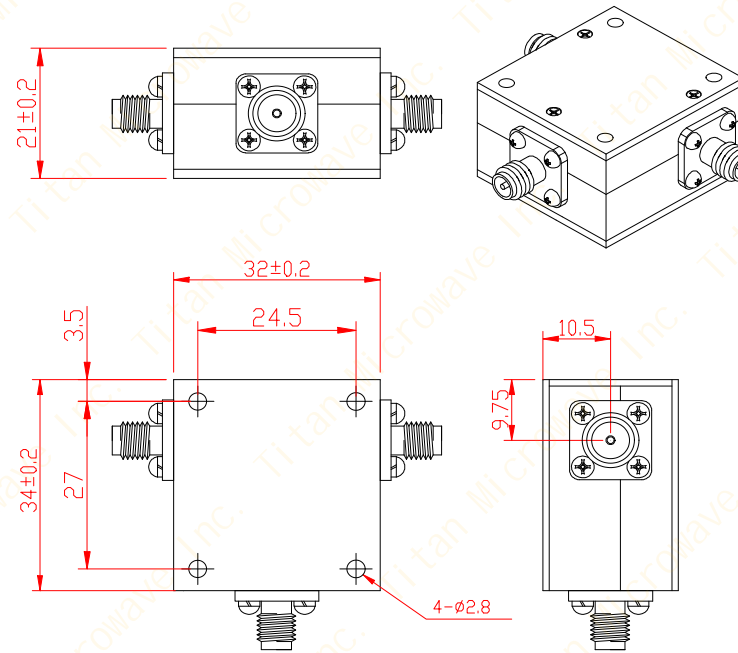
|                 |           |
|-----------------|-----------|
| Frequency Range | 2~4GHz    |
| Insertion Loss  | 0.5dB max |
| VSWR            | 1.3:1 max |
| Isolation       | 18dB min  |
| Impedance       | 50 Ohms   |
| Forward Power   | 150W      |
| Direction       | Clockwise |

### ► Mechanical Data

|                  |                      |
|------------------|----------------------|
| Dimensions       | 32×34×21mm           |
| Connectors       | SMA-Female           |
| Housing Material | Aluminum             |
| Surface Finish   | Conductive Oxidation |
| Weight           | 105g                 |

### ► Environmental Data

|                     |           |
|---------------------|-----------|
| Temperature Range   | -10℃~+60℃ |
| Storage Temperature | -50℃~+90℃ |



#### Notes:

- ALL SPECIFICATIONS ARE SUBJECT TO CHANGE WITHOUT NOTICE AT ANY TIME
- CUSTOMER OUTLINE DRAWING FOR REFERENCE ONLY

|                                      |       |          |
|--------------------------------------|-------|----------|
| DRAWN: L. Ma 19/03/23                |       |          |
| ENGINEER: J. Zhu 19/03/23            |       |          |
| APPROVED: C. Chen 19/03/23           |       |          |
| TOLERANCE UNLESS OTHERWISE SPECIFIED |       |          |
| x                                    | ±0.50 | [0.019"] |
| .x                                   | ±0.20 | [0.008"] |
| .xx                                  | ±0.10 | [0.004"] |
| ANGLES                               | ±1°   |          |

**TITLE:**  
Coaxial Circulator,  
2~4GHz, 150W,  
Clockwise,  
SMA-Female

**PART No.:**  
TMCC-02000400-150S



[www.titan-microwave.com](http://www.titan-microwave.com)



DIMENSIONS IN MILLIMETERS(mm)

|                    |               |                      |                  |
|--------------------|---------------|----------------------|------------------|
| <b>SIZE:</b><br>A4 | <b>SCALE:</b> | <b>SHEET:</b><br>1/1 | <b>REV:</b><br>A |
|--------------------|---------------|----------------------|------------------|