

| REV | DESCRIPTION OF REVISION | By | DATE | APPROVED |
|-----|-------------------------|--------|-----------|----------|
| A | INITIAL RELEASE | C. Cai | 2023/3/18 | C. Chen |

TECHNICAL DATA

► Electrical Data

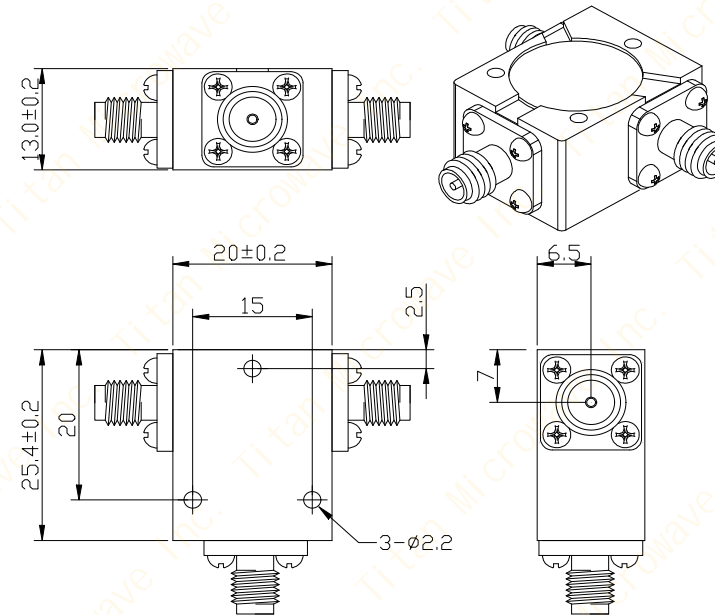
| | |
|-----------------|------------|
| Frequency Range | 4.5~5GHz |
| Insertion Loss | 0.45dB max |
| VSWR | 1.25:1 max |
| Isolation | 20dB min |
| Impedance | 50 Ohms |
| Forward Power | 100W |
| Direction | Clockwise |

► Mechanical Data

| | |
|------------------|----------------------|
| Dimensions | 20×25.4×13mm |
| Connectors | SMA-Female |
| Housing Material | Aluminum |
| Surface Finish | Conductive Oxidation |
| Weight | 47g |

► Environmental Data

| | |
|---------------------|-----------|
| Temperature Range | -30℃~+70℃ |
| Storage Temperature | -50℃~+90℃ |



| | | |
|--------------------------------------|-------|----------|
| DRAWN: L. Ma 19/03/23 | | |
| ENGINEER: J. Zhu 19/03/23 | | |
| APPROVED: C. Chen 19/03/23 | | |
| TOLERANCE UNLESS OTHERWISE SPECIFIED | | |
| x | ±0.50 | [0.019"] |
| .x | ±0.20 | [0.008"] |
| .xx | ±0.10 | [0.004"] |
| ANGLES | ±1° | |

TITLE:
Coaxial Circulator,
4.5~5GHz, 100W,
Clockwise,
SMA-Female

PART No.:
TMCC-04500500-100S

成都巨人微波
TITAN MICROWAVE INC.
- A Professional RF & Microwave Components Supplier -

www.titan-microwave.com



DIMENSIONS IN MILLIMETERS(mm)

| | | | |
|--------------------|---------------|----------------------|------------------|
| SIZE: A4 | SCALE: | SHEET: 1/1 | REV: A |
|--------------------|---------------|----------------------|------------------|

Notes:

- ALL SPECIFICATIONS ARE SUBJECT TO CHANGE WITHOUT NOTICE AT ANY TIME
- CUSTOMER OUTLINE DRAWING FOR REFERENCE ONLY