

REV	DESCRIPTION OF REVISION	By	DATE	APPROVED
A	INITIAL RELEASE	C. Cai	2023/3/18	C. Chen

## TECHNICAL DATA

### ► Electrical Data

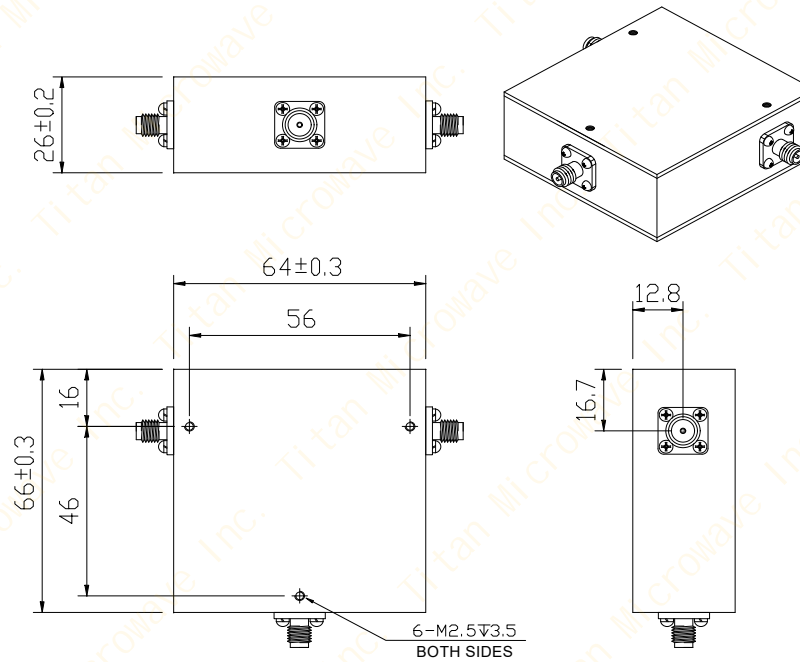
Frequency Range	1~1.7GHz
Insertion Loss	0.7dB max
VSWR	1.4:1 max
Isolation	17dB min
Impedance	50 Ohms
Forward Power	100W
Direction	Clockwise

### ► Mechanical Data

Dimensions	64×66×26mm
Connectors	SMA-Female
Housing Material	Aluminum
Surface Finish	Conductive Oxidation
Weight	450g

### ► Environmental Data

Temperature Range	-10℃~+60℃
Storage Temperature	-50℃~+90℃





#### Notes:

- ALL SPECIFICATIONS ARE SUBJECT TO CHANGE WITHOUT NOTICE AT ANY TIME
- CUSTOMER OUTLINE DRAWING FOR REFERENCE ONLY

DRAWN: L. Ma 19/03/23		
ENGINEER: J. Zhu 19/03/23		
APPROVED: C. Chen 19/03/23		
TOLERANCE UNLESS OTHERWISE SPECIFIED		
x	±0.50	[0.019"]
.x	±0.20	[0.008"]
.xx	±0.10	[0.004"]
ANGLES	±1°	

<b>TITLE:</b> Coaxial Circulator, 1~1.7GHz, 100W, Clockwise, SMA-Female
<b>PART No.:</b> TMCC-01000170-100S

 <p>成都巨人微波 <b>TITAN MICROWAVE INC.</b> - A Professional RF &amp; Microwave Components Supplier -</p> <p><a href="http://www.titan-microwave.com">www.titan-microwave.com</a></p>			
 DIMENSIONS IN MILLIMETERS(mm)			
SIZE: A4	SCALE:	SHEET: 1/1	REV: A