

REV	DESCRIPTION OF REVISION	By	DATE	APPROVED
A	INITIAL RELEASE	C. Cai	2023/3/18	C. Chen

TECHNICAL DATA

► Electrical Data

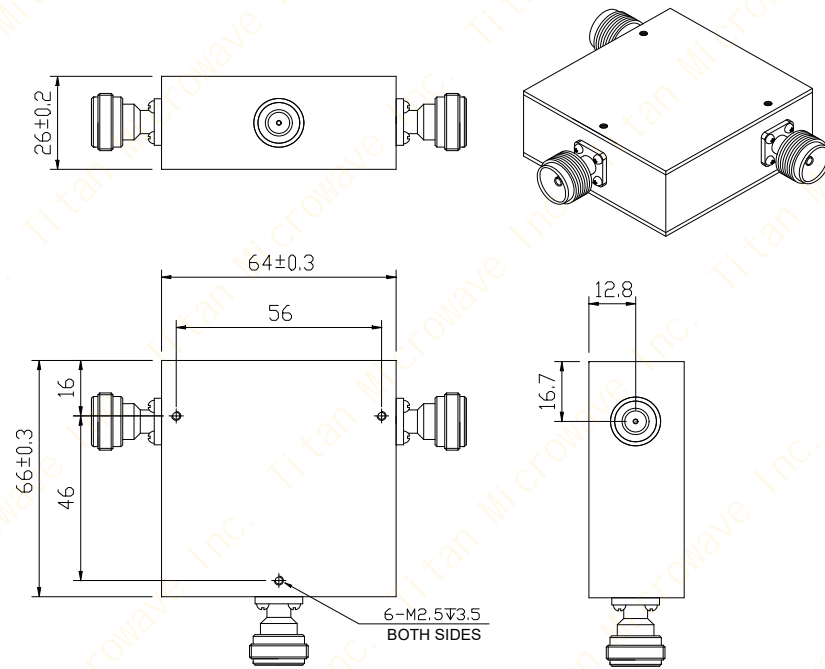
Frequency Range	0.95~2GHz
Insertion Loss	0.8dB max
VSWR	1.4:1 max
Isolation	16dB min
Impedance	50 Ohms
Forward Power	150W
Direction	Clockwise

► Mechanical Data

Dimensions	64×66×26mm
Connectors	N-Female
Housing Material	Aluminum
Surface Finish	Conductive Oxidation
Weight	450g



► Environmental Data

Temperature Range	-10℃~+60℃
Storage Temperature	-40℃~+90℃



Notes:

- ALL SPECIFICATIONS ARE SUBJECT TO CHANGE WITHOUT NOTICE AT ANY TIME
- CUSTOMER OUTLINE DRAWING FOR REFERENCE ONLY

DRAWN: L. Ma 19/03/23	TITLE: Coaxial Circulator, 0.95~2GHz, 150W, Clockwise, N-Female	 成都巨人微波 TITAN MICROWAVE INC. - A Professional RF & Microwave Components Supplier - www.titan-microwave.com			
ENGINEER: J. Zhu 19/03/23					
APPROVED: C. Chen 19/03/23		PART No.: TMCC-00950200-150N	 DIMENSIONS IN MILLIMETERS(mm)		
TOLERANCE UNLESS OTHERWISE SPECIFIED			SIZE: A4	SCALE:	SHEET: 1/1
x	±0.50	[0.019"]			
.x	±0.20	[0.008"]			
.xx	±0.10	[0.004"]			
ANGLES	±1°				