

| REV | DESCRIPTION OF REVISION | By | DATE | APPROVED |
|-----|-------------------------|--------|-----------|----------|
| A | INITIAL RELEASE | C. Cai | 2023/3/18 | C. Chen |

TECHNICAL DATA

► Electrical Data

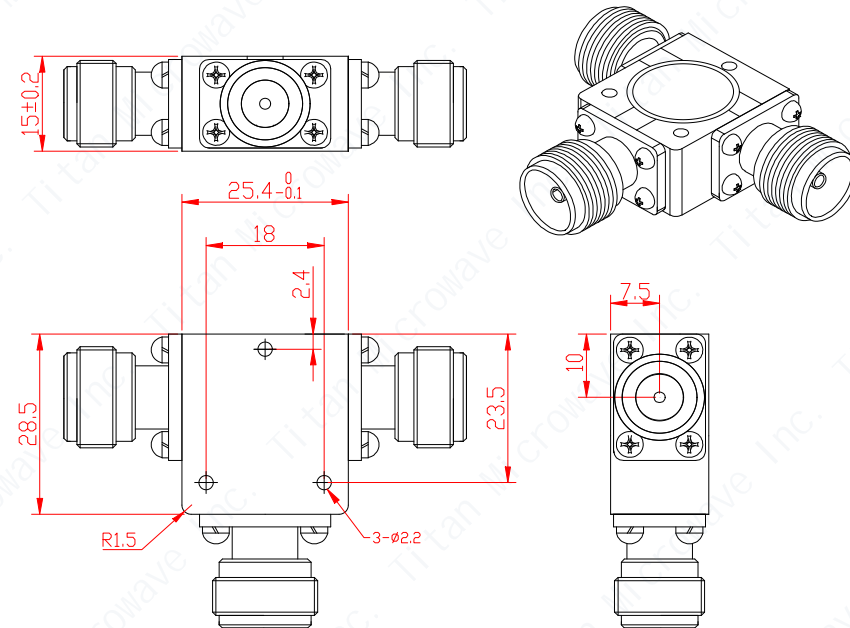
| | |
|-----------------|--------------|
| Frequency Range | 0.9~0.928GHz |
| Insertion Loss | 0.3dB max |
| VSWR | 1.2:1 max |
| Isolation | 23dB min |
| Impedance | 50 Ohms |
| Forward Power | 200W |
| Direction | Clockwise |

► Mechanical Data

| | |
|----------------|----------------|
| Dimensions | 25.4×28.5×15mm |
| Connectors | N-Female |
| Surface Finish | Nickel Plated |
| Weight | 100g |

► Environmental Data

| | |
|---------------------|-----------|
| Temperature Range | -30℃~+75℃ |
| Storage Temperature | -50℃~+90℃ |



| | | |
|--------------------------------------|-------|----------|
| DRAWN: L. Ma 19/03/23 | | |
| ENGINEER: J. Zhu 19/03/23 | | |
| APPROVED: C. Chen 19/03/23 | | |
| TOLERANCE UNLESS OTHERWISE SPECIFIED | | |
| x | ±0.50 | [0.019"] |
| .x | ±0.20 | [0.008"] |
| .xx | ±0.10 | [0.004"] |
| ANGLES | ±1° | |

TITLE:

Coaxial Circulator,
0.9~0.928GHz, 200W,
Clockwise,
N-Female

PART No.:

TMCC-00900092-200N



www.titan-microwave.com



DIMENSIONS IN MILLIMETERS(mm)

SIZE:
A4

SCALE:

SHEET:
1/1

REV:
A

Notes:

- ALL SPECIFICATIONS ARE SUBJECT TO CHANGE WITHOUT NOTICE AT ANY TIME
- CUSTOMER OUTLINE DRAWING FOR REFERENCE ONLY