

REV	DESCRIPTION OF REVISION	By	DATE	APPROVED
A	INITIAL RELEASE	C. Cai	2023/3/18	C. Chen

## TECHNICAL DATA

### ► Electrical Data

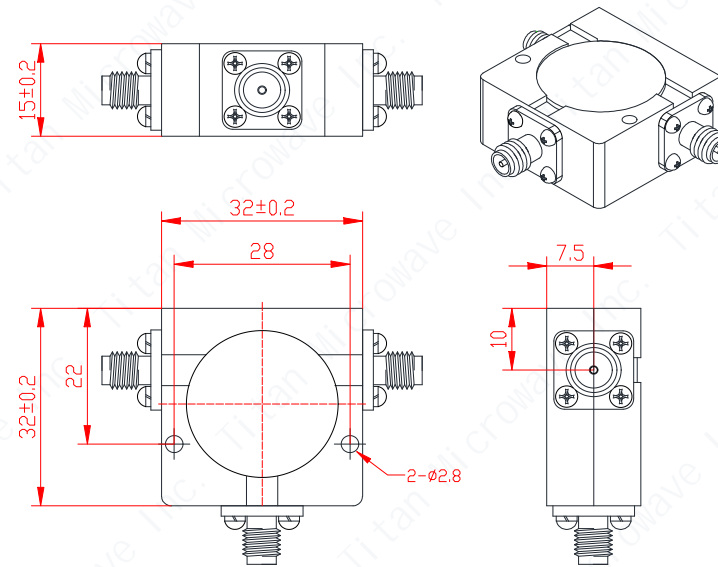
Frequency Range	1.8~2.2GHz
Insertion Loss	0.4dB max
VSWR	1.25:1 max
Isolation	20dB min
Impedance	50 Ohms
Forward Power	150W
Direction	Clockwise

### ► Mechanical Data

Dimensions	32×32×15mm
Connectors	SMA-Female
Surface Finish	Nickel Plated
Weight	320g



### ► Environmental Data

Temperature Range	-30℃~+75℃
Storage Temperature	-50℃~+90℃



#### Notes:

- ALL SPECIFICATIONS ARE SUBJECT TO CHANGE WITHOUT NOTICE AT ANY TIME
- CUSTOMER OUTLINE DRAWING FOR REFERENCE ONLY

DRAWN: L. Ma 19/03/23	<b>TITLE:</b> Coaxial Circulator, 1.8~2.2GHz, 150W, Clockwise, SMA-Female	 <b>成都巨人微波</b> <b>TITAN MICROWAVE INC.</b> - A Professional RF & Microwave Components Supplier -				
ENGINEER: J. Zhu 19/03/23				<a href="http://www.titan-microwave.com">www.titan-microwave.com</a>		
APPROVED: C. Chen 19/03/23		 DIMENSIONS IN MILLIMETERS(mm)				
TOLERANCE UNLESS OTHERWISE SPECIFIED		<b>PART No.:</b> TMCC-01800220-150S	<b>SIZE:</b> A4	<b>SCALE:</b>	<b>SHEET:</b> 1/1	<b>REV:</b> A
x	±0.50		[0.019"]			
.x	±0.20	[0.008"]				
.xx	±0.10	[0.004"]				
ANGLES	±1°					