

REV	DESCRIPTION OF REVISION	By	DATE	APPROVED
A	INITIAL RELEASE	C. Cai	2023/3/18	C. Chen

TECHNICAL DATA

► Electrical Data

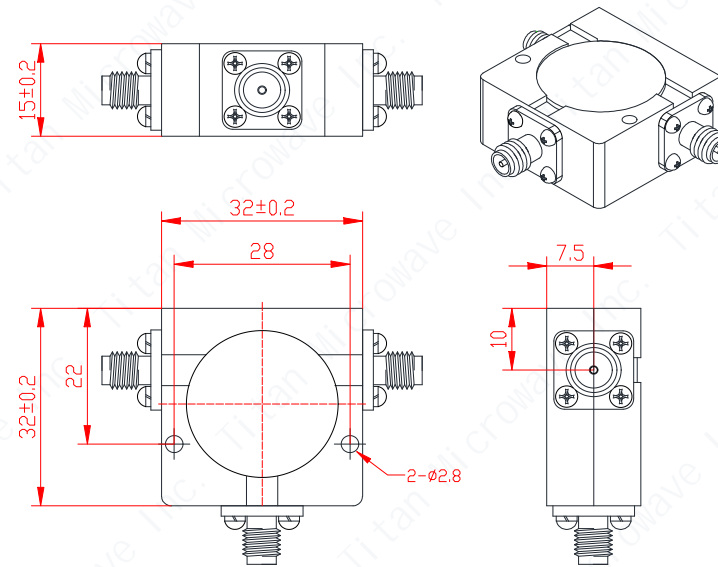
Frequency Range	1.7~2.3GHz
Insertion Loss	0.5dB max
VSWR	1.3:1 max
Isolation	18dB min
Impedance	50 Ohms
Forward Power	150W
Direction	Clockwise

► Mechanical Data

Dimensions	32×32×15mm
Connectors	SMA-Female
Surface Finish	Nickel Plated
Weight	320g



► Environmental Data

Temperature Range	-30℃~+75℃
Storage Temperature	-50℃~+90℃



Notes:

- ALL SPECIFICATIONS ARE SUBJECT TO CHANGE WITHOUT NOTICE AT ANY TIME
- CUSTOMER OUTLINE DRAWING FOR REFERENCE ONLY

DRAWN: L. Ma 19/03/23	TITLE: Coaxial Circulator, 1.7~2.3GHz, 150W, Clockwise, SMA-Female	 成都巨人微波 TITAN MICROWAVE INC. - A Professional RF & Microwave Components Supplier - www.titan-microwave.com																
ENGINEER: J. Zhu 19/03/23																		
APPROVED: C. Chen 19/03/23		 DIMENSIONS IN MILLIMETERS(mm)																
TOLERANCE UNLESS OTHERWISE SPECIFIED <table> <tr> <td>x</td> <td>±0.50</td> <td>[0.019"]</td> </tr> <tr> <td>.x</td> <td>±0.20</td> <td>[0.008"]</td> </tr> <tr> <td>.xx</td> <td>±0.10</td> <td>[0.004"]</td> </tr> <tr> <td>ANGLES</td> <td colspan="2">±1°</td> </tr> </table>		x	±0.50	[0.019"]	.x	±0.20	[0.008"]	.xx	±0.10	[0.004"]	ANGLES	±1°		PART No.: TMCC-01700230-150S	SIZE: A4	SCALE:	SHEET: 1/1	REV: A
x	±0.50	[0.019"]																
.x	±0.20	[0.008"]																
.xx	±0.10	[0.004"]																
ANGLES	±1°																	