

REV	DESCRIPTION OF REVISION	By	DATE	APPROVED
A	INITIAL RELEASE	C. Cai	2023/3/18	C. Chen

TECHNICAL DATA

► Electrical Data

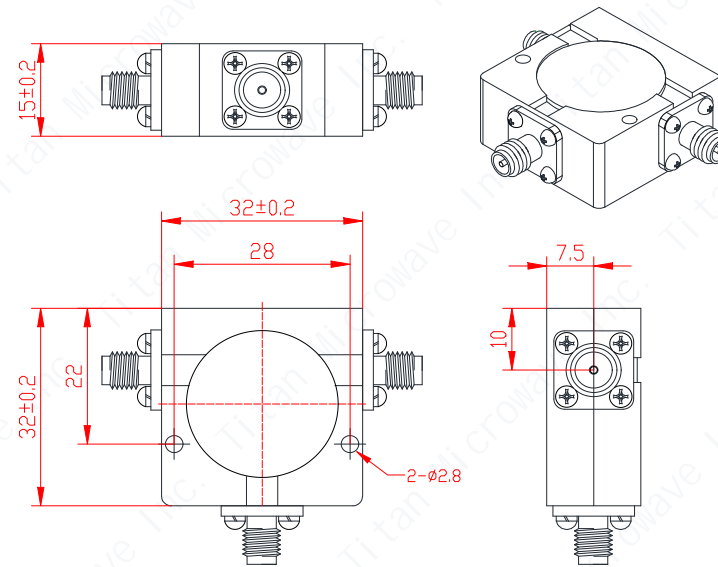
Frequency Range	960~1215MHz
Insertion Loss	0.4dB max
VSWR	1.3:1 max
Isolation	18dB min
Impedance	50 Ohms
Forward Power	150W
Direction	Clockwise

► Mechanical Data

Dimensions	32×32×15mm
Connectors	SMA-Female
Surface Finish	Nickel Plated
Weight	320g



► Environmental Data

Temperature Range	-30℃~+75℃
Storage Temperature	-50℃~+90℃



Notes:

- ALL SPECIFICATIONS ARE SUBJECT TO CHANGE WITHOUT NOTICE AT ANY TIME
- CUSTOMER OUTLINE DRAWING FOR REFERENCE ONLY

DRAWN: L. Ma 19/03/23	TITLE: Coaxial Circulator, 0.96~1.215GHz, 150W, Clockwise, SMA-Female	 成都巨人微波 TITAN MICROWAVE INC. <small>- A Professional RF & Microwave Components Supplier -</small>															
ENGINEER: J. Zhu 19/03/23				www.titan-microwave.com													
APPROVED: C. Chen 19/03/23		PART No.: TMCC-00960121-150S	 DIMENSIONS IN MILLIMETERS(mm)														
TOLERANCE UNLESS OTHERWISE SPECIFIED <table style="width: 100%; border-collapse: collapse;"> <tr> <td style="text-align: center;">x</td> <td style="text-align: center;">±0.50</td> <td style="text-align: center;">[0.019"]</td> </tr> <tr> <td style="text-align: center;">.x</td> <td style="text-align: center;">±0.20</td> <td style="text-align: center;">[0.008"]</td> </tr> <tr> <td style="text-align: center;">.xx</td> <td style="text-align: center;">±0.10</td> <td style="text-align: center;">[0.004"]</td> </tr> <tr> <td style="text-align: center;">ANGLES</td> <td colspan="2" style="text-align: center;">±1°</td> </tr> </table>			x	±0.50	[0.019"]	.x	±0.20	[0.008"]	.xx	±0.10	[0.004"]	ANGLES	±1°		SIZE: A4	SCALE:	SHEET: 1/1
x	±0.50	[0.019"]															
.x	±0.20	[0.008"]															
.xx	±0.10	[0.004"]															
ANGLES	±1°																