

| REV | DESCRIPTION OF REVISION | By     | DATE      | APPROVED |
|-----|-------------------------|--------|-----------|----------|
| A   | INITIAL RELEASE         | C. Cai | 2023/3/18 | C. Chen  |

## TECHNICAL DATA

### ► Electrical Data

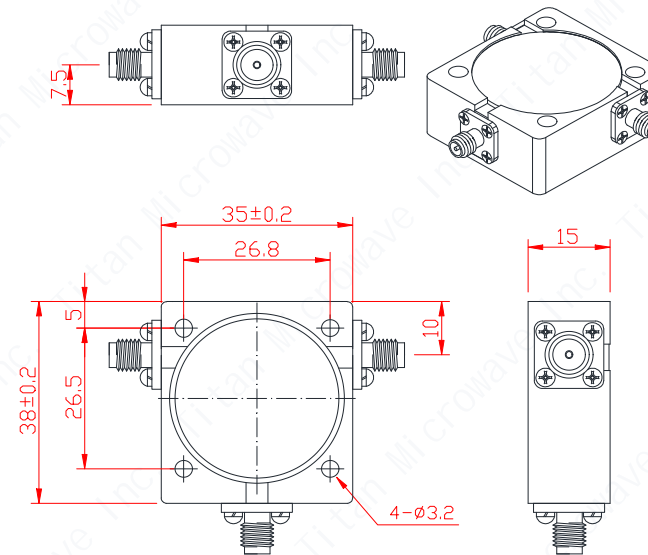
|                 |            |
|-----------------|------------|
| Frequency Range | 400~470MHz |
| Insertion Loss  | 0.5dB max  |
| VSWR            | 1.25:1 max |
| Isolation       | 19dB min   |
| Impedance       | 50 Ohms    |
| Forward Power   | 150W       |
| Direction       | Clockwise  |

### ► Mechanical Data

|                |               |
|----------------|---------------|
| Dimensions     | 35×38×15mm    |
| Connectors     | SMA-Female    |
| Surface Finish | Nickel Plated |
| Weight         | 140g          |



### ► Environmental Data

|                     |           |
|---------------------|-----------|
| Temperature Range   | -30℃~+75℃ |
| Storage Temperature | -50℃~+90℃ |



#### Notes:

- ALL SPECIFICATIONS ARE SUBJECT TO CHANGE WITHOUT NOTICE AT ANY TIME
- CUSTOMER OUTLINE DRAWING FOR REFERENCE ONLY

|                                      |  |   |                    |  |        |      |   |
|--------------------------------------|--|---|--------------------|--|--------|------|---|
| DRAWN: L. Ma 19/03/23                | TITLE:<br>Coaxial Circulator,<br>400~470MHz, 150W,<br>Clockwise,<br>SMA-Female | <br><b>成都巨人微波</b><br><b>TITAN MICROWAVE INC.</b><br><small>- A Professional RF &amp; Microwave Components Supplier -</small> |                    |  |        |      |   |
| ENGINEER: J. Zhu 19/03/23            |  |   |                    | <a href="http://www.titan-microwave.com">www.titan-microwave.com</a> |        |      |   |
| APPROVED: C. Chen 19/03/23           |  | <br>DIMENSIONS IN MILLIMETERS(mm)  |                    |  |        |      |   |
| TOLERANCE UNLESS OTHERWISE SPECIFIED |  | PART No.:   | SIZE:              | SCALE:   | SHEET: | REV: |   |
| x                                    | ±0.50  | [0.019"]  | TMCC-00400047-150S | A4   |        | 1/1  | A |
| .x                                   | ±0.20  | [0.008"]  |                    |  |        |      |   |
| .xx                                  | ±0.10  | [0.004"]  |                    |  |        |      |   |
| ANGLES                               | ±1°  |   |                    |  |        |      |   |