

REV	DESCRIPTION OF REVISION	By	DATE	APPROVED
A	INITIAL RELEASE	C. Cai	2025/3/10	C. Chen

TECHNICAL DATA

► Characteristic

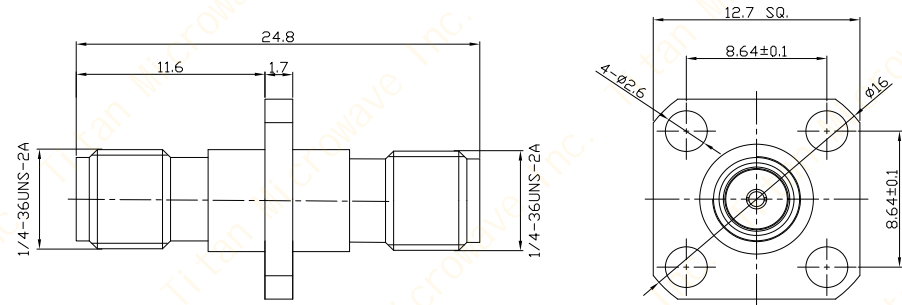
Frequency Range	DC~33GHz
Impedance	50 Ohms
VSWR	1.15 max
Dielectric Withstand Voltage	1000V
Insulation Resistance	5000MΩ min
Durability	500 min

► Material & Finishing

Center Conductor	Beryllium Copper, Gold Plating
Insulators	PTFE
Body	Stainless Steel, Passivated

► Environmental Data

Temperature Range	-55°C~+165°C
-------------------	--------------



DRAWN: L. Ma 10/03/25		
ENGINEER: J. Zhu 10/03/25		
APPROVED: C. Chen 10/03/25		
TOLERANCE UNLESS OTHERWISE SPECIFIED		
x	±0.50	[0.019"]
.x	±0.20	[0.008"]
.xx	±0.10	[0.004"]
ANGLES	±1°	

TITLE:
3.5mm female to 3.5mm
female, 4 holes flange
mounted adapter,
DC~33GHz

PART No.:
TMCALZFFZ-B



www.titan-microwave.com



DIMENSIONS IN MILLIMETERS(mm)

SIZE: A4	SCALE:	SHEET: 1/1	REV: A
-------------	--------	---------------	-----------

Notes:

- ALL SPECIFICATIONS ARE SUBJECT TO CHANGE WITHOUT NOTICE AT ANY TIME
- CUSTOMER OUTLINE DRAWING FOR REFERENCE ONLY