

REV	DESCRIPTION OF REVISION	By	DATE	APPROVED
A	INITIAL RELEASE	C. Cai	2023/9/16	C. Chen

TECHNICAL DATA

► Electrical Data

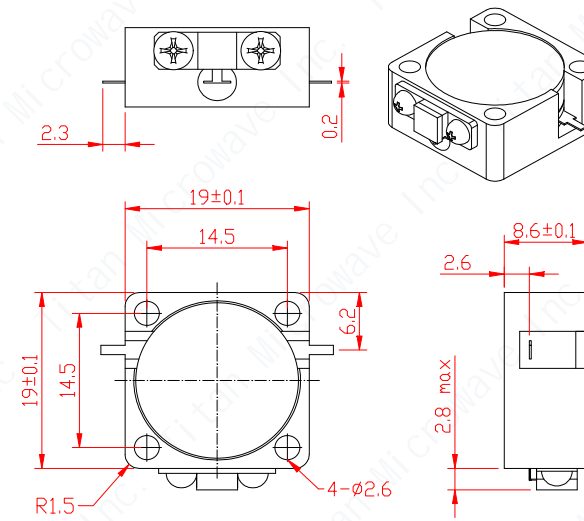
Frequency Range	1.92~1.99GHz
Insertion Loss	0.3dB max
VSWR	1.2:1 max
Isolation	23dB min
Forward Power	100W
Reverse Power	20W
Direction	Clockwise
Impedance	50 Ohms

► Mechanical Data

Dimensions	19×19×8.6mm
Connector Type	Stripline
Material	Aluminum
Surface Finish	Nickel Plated
Weight	18g



► Environmental Data

Operating Temperature	-30℃~+75℃
Storage Temperature	-50℃~+90℃



Notes:

- ALL SPECIFICATIONS ARE SUBJECT TO CHANGE WITHOUT NOTICE AT ANY TIME
- CUSTOMER OUTLINE DRAWING FOR REFERENCE ONLY

DRAWN: L. Ma 16/09/23	TITLE: Drop-in Isolator 1.92-1.99GHz, Clockwise 100W	 成都巨人微波 TITAN MICROWAVE INC. - A Professional RF & Microwave Components Supplier - www.titan-microwave.com		
ENGINEER: J. Zhu 16/09/23				
APPROVED: C. Chen 16/09/23		PART No.: TMDI-100-01920199	 DIMENSIONS IN MILLIMETERS(mm)	
TOLERANCE UNLESS OTHERWISE SPECIFIED	SIZE: A4		SCALE:	SHEET: 1/1
x ±0.50 [0.019"]				
.x ±0.20 [0.008"]				
.xx ±0.10 [0.004"]				
ANGLES ±1°				