

REV	DESCRIPTION OF REVISION	By	DATE	APPROVED
A	INITIAL RELEASE	C. Cai	2023/9/16	C. Chen

## TECHNICAL DATA

### Electrical Data

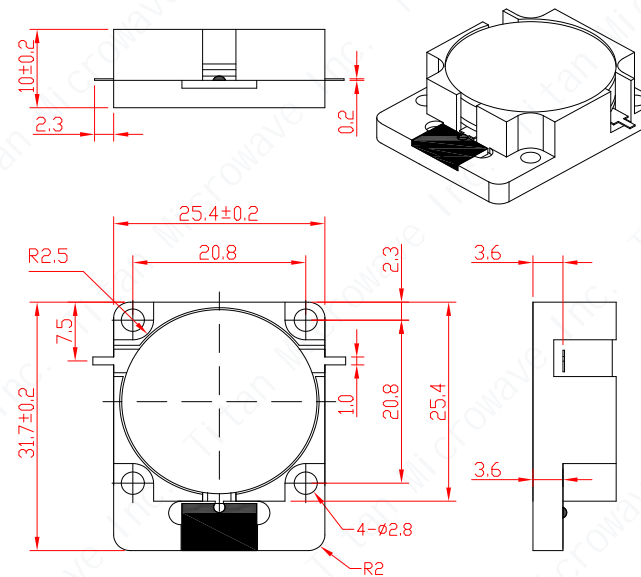
Frequency Range	2.6~2.7GHz
Insertion Loss	0.3dB max
VSWR	1.2:1 max
Isolation	23dB min
Forward Power	200W
Reverse Power	100W
Direction	Clockwise
Impedance	50 Ohms

### Mechanical Data

Dimensions	25.4×31.7×10mm
Connector Type	Stripline
Material	Aluminum
Surface Finish	Nickel Plated
Weight	40g



### Environmental Data

Operating Temperature	-30℃~+75℃
Storage Temperature	-50℃~+90℃



#### Notes:

- ALL SPECIFICATIONS ARE SUBJECT TO CHANGE WITHOUT NOTICE AT ANY TIME
- CUSTOMER OUTLINE DRAWING FOR REFERENCE ONLY

DRAWN: L. Ma 16/09/23	TITLE: Drop-in Isolator 2.6-2.7GHz, Clockwise 200W	 <b>成都巨人微波</b> <b>TITAN MICROWAVE INC.</b> <small>- A Professional RF &amp; Microwave Components Supplier -</small>			
ENGINEER: J. Zhu 16/09/23				<a href="http://www.titan-microwave.com">www.titan-microwave.com</a>	
APPROVED: C. Chen 16/09/23		 DIMENSIONS IN MILLIMETERS(mm)			
TOLERANCE UNLESS OTHERWISE SPECIFIED	PART No.:	SIZE:	SCALE:	SHEET:	REV:
x ±0.50 [0.019"]	TMDI-02600270-200	A4		1/1	A
.x ±0.20 [0.008"]					
.xx ±0.10 [0.004"]					
ANGLES ±1°					