

REV	DESCRIPTION OF REVISION	By	DATE	APPROVED
A	INITIAL RELEASE	C. Cai	2023/9/16	C. Chen

## TECHNICAL DATA

### Electrical Data

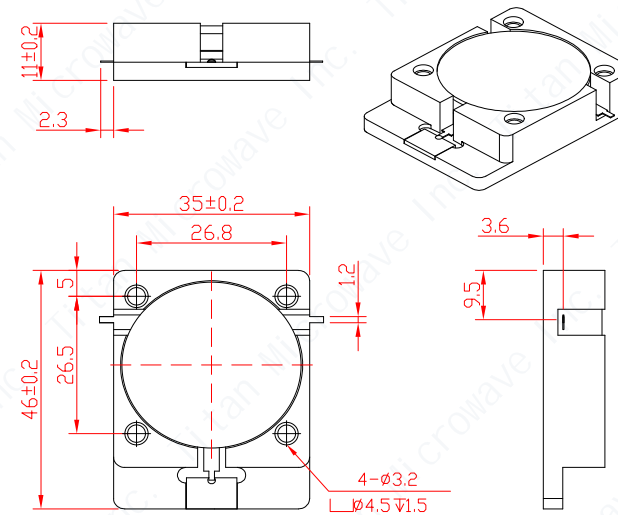
Frequency Range	410~460MHz
Insertion Loss	0.4dB max
VSWR	1.25:1 max
Isolation	20dB min
Forward Power	300W
Reverse Power	30dB100W
Direction	Clockwise
Impedance	50 Ohms

### Mechanical Data

Dimensions	35×46×11mm
Connector Type	Stripline
Material	Aluminum
Surface Finish	Nickel Plated
Weight	93g



### Environmental Data

Operating Temperature	-30℃~+75℃
Storage Temperature	-50℃~+90℃



#### Notes:

- ALL SPECIFICATIONS ARE SUBJECT TO CHANGE WITHOUT NOTICE AT ANY TIME
- CUSTOMER OUTLINE DRAWING FOR REFERENCE ONLY

DRAWN: L. Ma 16/09/23	<b>TITLE:</b> Drop-in Isolator 410-460MHz, Clockwise 300W	 <b>成都巨人微波</b> <b>TITAN MICROWAVE INC.</b> - A Professional RF & Microwave Components Supplier - <a href="http://www.titan-microwave.com">www.titan-microwave.com</a>		
ENGINEER: J. Zhu 16/09/23				
APPROVED: C. Chen 16/09/23		<b>PART No.:</b> TMDI-00410046-300	 DIMENSIONS IN MILLIMETERS(mm)	
TOLERANCE UNLESS OTHERWISE SPECIFIED	<b>SIZE:</b> A4		<b>SCALE:</b>	<b>SHEET:</b> 1/1
x ±0.50 [0.019"]				
.x ±0.20 [0.008"]				
.xx ±0.10 [0.004"]				
ANGLES ±1°				