

REV	DESCRIPTION OF REVISION	By	DATE	APPROVED
A	INITIAL RELEASE	C. Cai	2023/9/16	C. Chen

TECHNICAL DATA

Electrical Data

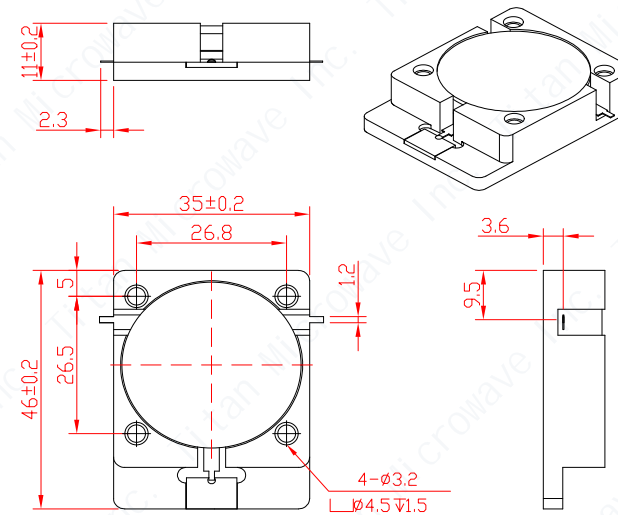
Frequency Range	420~450MHz
Insertion Loss	0.4dB max
VSWR	1.25:1 max
Isolation	20dB min
Forward Power	300W
Reverse Power	30dB100W
Direction	Clockwise
Impedance	50 Ohms

Mechanical Data

Dimensions	35×46×11mm
Connector Type	Stripline
Material	Aluminum
Surface Finish	Nickel Plated
Weight	93g

Environmental Data

Operating Temperature	-30℃~+75℃
Storage Temperature	-50℃~+90℃



Notes:

- ALL SPECIFICATIONS ARE SUBJECT TO CHANGE WITHOUT NOTICE AT ANY TIME
- CUSTOMER OUTLINE DRAWING FOR REFERENCE ONLY

DRAWN: L. Ma 16/09/23		
ENGINEER: J. Zhu 16/09/23		
APPROVED: C. Chen 16/09/23		
TOLERANCE UNLESS OTHERWISE SPECIFIED		
x	±0.50	[0.019"]
.x	±0.20	[0.008"]
.xx	±0.10	[0.004"]
ANGLES	±1°	

TITLE:

Drop-in Isolator
420-450MHz,
Clockwise
300W

PART No.:

TMDI-00420045-300



www.titan-microwave.com



DIMENSIONS IN MILLIMETERS(mm)

SIZE:
A4

SCALE:

SHEET:
1/1

REV:
A