

REV	DESCRIPTION OF REVISION	By	DATE	APPROVED
A	INITIAL RELEASE	C. Cai	2025/5/26	C. Chen

TECHNICAL DATA

► Electrical Data

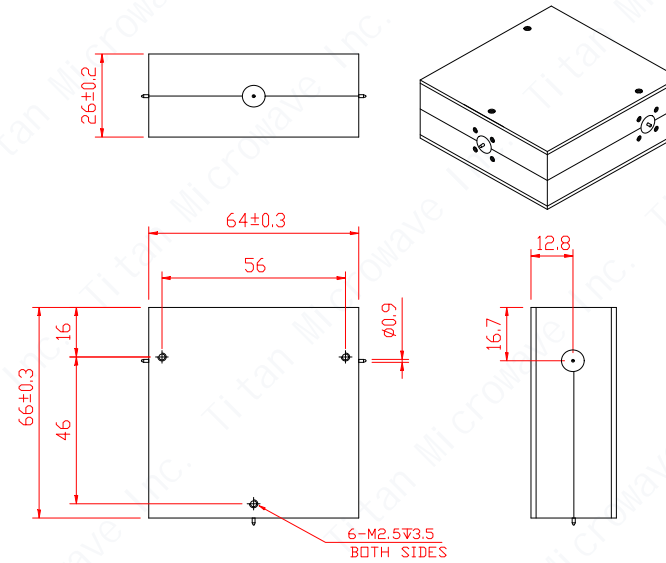
Frequency Range	0.95~2GHz
Insertion Loss	0.8dB max
VSWR	1.4:1 max
Isolation	16dB min
Forward Power	150W(CW)
Direction	Clockwise
Impedance	50 Ohms

► Mechanical Data

Dimensions	64×66×26mm
Connector Type	Microstrip
Material	Aluminum
Surface Finish	Nickel Plated

► Environmental Data

Operating Temperature	-10℃~+60℃
Storage Temperature	-40℃~+90℃



Notes:

- ALL SPECIFICATIONS ARE SUBJECT TO CHANGE WITHOUT NOTICE AT ANY TIME
- CUSTOMER OUTLINE DRAWING FOR REFERENCE ONLY

DRAWN: L. Ma 26/05/25		
ENGINEER: J. Zhu 26/05/25		
APPROVED: C. Chen 26/05/25		
TOLERANCE UNLESS OTHERWISE SPECIFIED		
x	±0.50	[0.019"]
.x	±0.20	[0.008"]
.xx	±0.10	[0.004"]
ANGLES	±1°	

TITLE:
Drop-in Circulator,
0.95~2GHz,
150W, Clockwise

PART No.:
TMDC-00950200-150



www.titan-microwave.com



DIMENSIONS IN MILLIMETERS(mm)

SIZE: A4	SCALE:	SHEET: 1/1	REV: A
-------------	--------	---------------	-----------