

REV	DESCRIPTION OF REVISION	By	DATE	APPROVED
A	INITIAL RELEASE	C. Cai	2022/5/26	C. Chen

TECHNICAL DATA

► Electrical Data

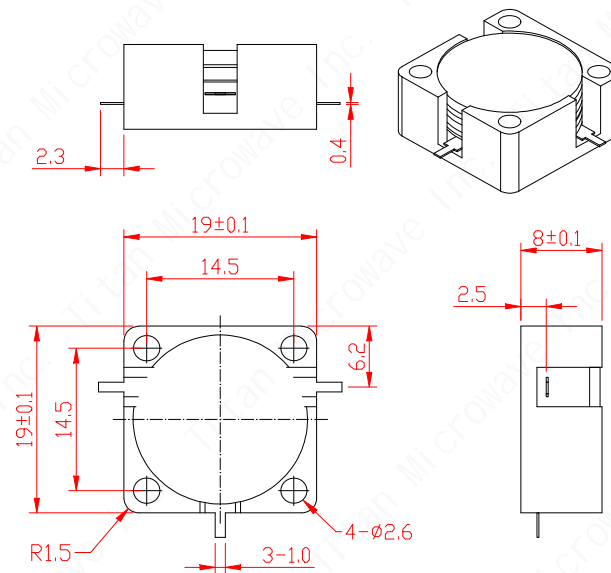
Frequency Range	3.6~3.8GHz
Insertion Loss	0.3dB max
VSWR	1.2:1 max
Isolation	23dB min
Forward Power	200W(CW)
Direction	Clockwise
Impedance	50 Ohms

► Mechanical Data

Dimensions	19×19×8mm
Connector Type	Microstrip
Material	Aluminum
Surface Finish	Nickel Plated

► Environmental Data

Operating Temperature	-30℃~+75℃
Storage Temperature	-50℃~+90℃




Notes:

- ALL SPECIFICATIONS ARE SUBJECT TO CHANGE WITHOUT NOTICE AT ANY TIME
- CUSTOMER OUTLINE DRAWING FOR REFERENCE ONLY

DRAWN: L. Ma 26/05/22		
ENGINEER: J. Zhu 26/05/22		
APPROVED: C. Chen 26/05/22		
TOLERANCE UNLESS OTHERWISE SPECIFIED		
x	±0.50	[0.019"]
.x	±0.20	[0.008"]
.xx	±0.10	[0.004"]
ANGLES	±1°	

TITLE:	Drop-in Circulator, 3.6~3.8GHz, 200W, Clockwise
PART No.:	TMDC-03600380-200

 <p>成都巨人微波 TITAN MICROWAVE INC. - A Professional RF & Microwave Components Supplier -</p> <p>www.titan-microwave.com</p>			
 DIMENSIONS IN MILLIMETERS(mm)			
SIZE: A4	SCALE:	SHEET: 1/1	REV: A