

REV	DESCRIPTION OF REVISION	By	DATE	APPROVED
A	INITIAL RELEASE	C. Cai	2022/5/26	C. Chen

## TECHNICAL DATA

### ► Electrical Data

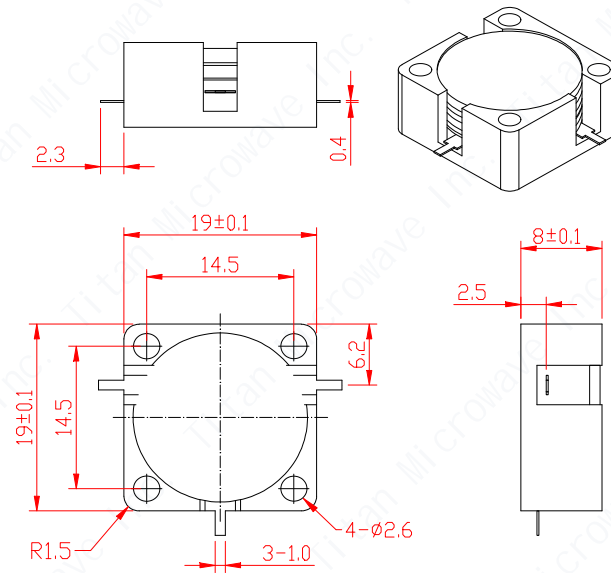
Frequency Range	3.3~3.6GHz
Insertion Loss	0.3dB max
VSWR	1.2:1 max
Isolation	20dB min
Forward Power	200W(CW)
Direction	Clockwise
Impedance	50 Ohms

### ► Mechanical Data

Dimensions	19×19×8mm
Connector Type	Microstrip
Material	Aluminum
Surface Finish	Nickel Plated

### ► Environmental Data

Operating Temperature	-30℃~+75℃
Storage Temperature	-50℃~+90℃



#### Notes:

- ALL SPECIFICATIONS ARE SUBJECT TO CHANGE WITHOUT NOTICE AT ANY TIME
- CUSTOMER OUTLINE DRAWING FOR REFERENCE ONLY

DRAWN: L. Ma 26/05/22		
ENGINEER: J. Zhu 26/05/22		
APPROVED: C. Chen 26/05/22		
TOLERANCE UNLESS OTHERWISE SPECIFIED		
x	±0.50	[0.019"]
.x	±0.20	[0.008"]
.xx	±0.10	[0.004"]
ANGLES	±1°	

**TITLE:**  
Drop-in Circulator,  
3.3~3.6GHz,  
200W, Clockwise

**PART No.:**  
TMDC-03300360-200



[www.titan-microwave.com](http://www.titan-microwave.com)



DIMENSIONS IN MILLIMETERS(mm)

SIZE: A4	SCALE:	SHEET: 1/1	REV: A
-------------	--------	---------------	-----------