

REV	DESCRIPTION OF REVISION	By	DATE	APPROVED
A	INITIAL RELEASE	C. Cai	2022/5/26	C. Chen

## TECHNICAL DATA

### ► Electrical Data

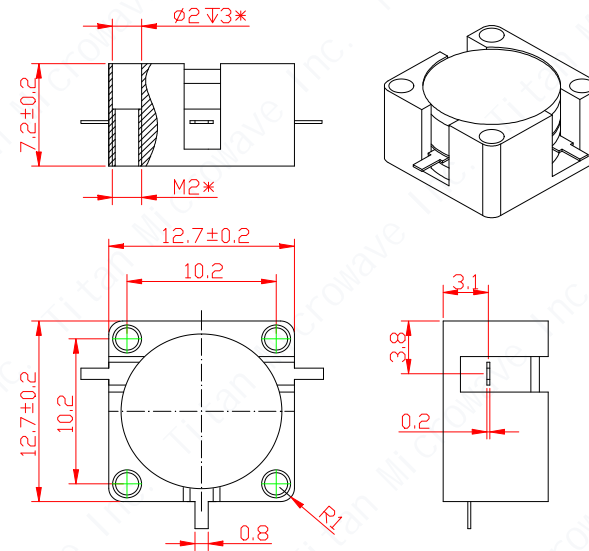
Frequency Range	4.4~5GHz
Insertion Loss	0.5dB max
VSWR	1.25:1 max
Isolation	19dB min
Forward Power	60W(CW)
Direction	Clockwise
Impedance	50 Ohms

### ► Mechanical Data

Dimensions	12.7×12.7×7.2mm
Connector Type	Microstrip
Material	Aluminum
Surface Finish	Nickel Plated

### ► Environmental Data

Operating Temperature	-30℃~+75℃
Storage Temperature	-50℃~+90℃



#### Notes:

- ALL SPECIFICATIONS ARE SUBJECT TO CHANGE WITHOUT NOTICE AT ANY TIME
- CUSTOMER OUTLINE DRAWING FOR REFERENCE ONLY

DRAWN: L. Ma 26/05/22		
ENGINEER: J. Zhu 26/05/22		
APPROVED: C. Chen 26/05/22		
TOLERANCE UNLESS OTHERWISE SPECIFIED		
x	±0.50	[0.019"]
.x	±0.20	[0.008"]
.xx	±0.10	[0.004"]
ANGLES	±1°	

#### TITLE:

Drop-in Circulator,  
4.4~5GHz,  
60W, Clockwise

#### PART No.:

TMDC-04400500-60



[www.titan-microwave.com](http://www.titan-microwave.com)



DIMENSIONS IN MILLIMETERS(mm)

SIZE: A4	SCALE:	SHEET: 1/1	REV: A
-------------	--------	---------------	-----------