

REV	DESCRIPTION OF REVISION	By	DATE	APPROVED
A	INITIAL RELEASE	C. Cai	2022/5/26	C. Chen

## TECHNICAL DATA

### ► Electrical Data

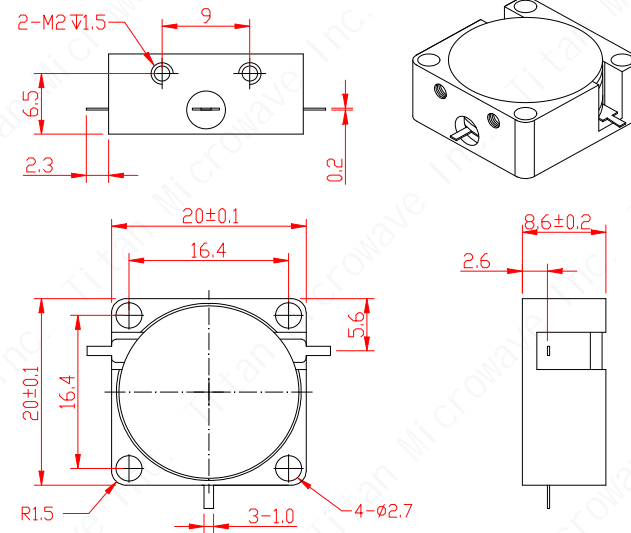
Frequency Range	1.5~1.7GHz
Insertion Loss	0.4dB max
VSWR	1.25:1 max
Isolation	20dB min
Forward Power	100W(CW)
Direction	Clockwise
Impedance	50 Ohms

### ► Mechanical Data

Dimensions	20×20×8.6mm
Connector Type	Microstrip
Material	Aluminum
Surface Finish	Nickel Plated

### ► Environmental Data

Operating Temperature	-30℃~+75℃
Storage Temperature	-50℃~+90℃



#### Notes:

- ALL SPECIFICATIONS ARE SUBJECT TO CHANGE WITHOUT NOTICE AT ANY TIME
- CUSTOMER OUTLINE DRAWING FOR REFERENCE ONLY

DRAWN: L. Ma 26/05/22		
ENGINEER: J. Zhu 26/05/22		
APPROVED: C. Chen 26/05/22		
TOLERANCE UNLESS OTHERWISE SPECIFIED		
x	±0.50	[0.019"]
.x	±0.20	[0.008"]
.xx	±0.10	[0.004"]
ANGLES	±1°	

#### TITLE:

Drop-in Circulator,  
1.5~1.7GHz,  
100W, Clockwise

#### PART No.:

TMDC-01500170-100



[www.titan-microwave.com](http://www.titan-microwave.com)



DIMENSIONS IN MILLIMETERS(mm)

SIZE:  
A4

SCALE:

SHEET:  
1/1

REV:  
A