

REV	DESCRIPTION OF REVISION	By	DATE	APPROVED
A	INITIAL RELEASE	C. Cai	2025/3/11	C. Chen

TECHNICAL DATA

► Electrical Data

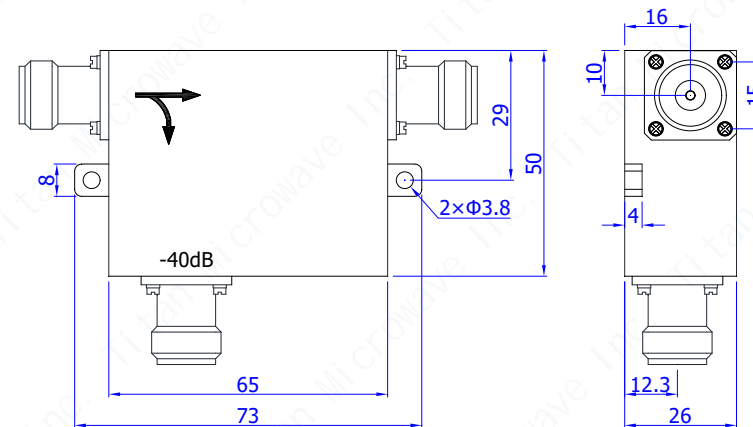
Frequency Range	100~600MHz
Coupling	40±1.0dB max
Coupling Flatness	±1.0dB
Insertion Loss	0.3dB max
Primary Line VSWR	1.3:1 max
Directivity	18dB min
Impedance	50 Ohms
Primary Line Power	200W max

► Mechanical Data

Input/Output Connectors	N-Female
Coupled Connector	N-Female
Surface Finish	Conductive Oxidation
Dimensions	65×50×26mm

► Environmental Data

Operating Temperature	-55℃~+85℃
-----------------------	-----------



DRAWN: L. Ma 11/03/25		
ENGINEER: J. Zhu 11/03/25		
APPROVED: C. Chen 11/03/25		
TOLERANCE UNLESS OTHERWISE SPECIFIED		
x	±0.50	[0.019"]
.x	±0.20	[0.008"]
.xx	±0.10	[0.004"]
ANGLES	±1°	

TITLE:

Single Directional Coupler,
100~600MHz, 40dB, 200W
N-Female

PART No.:

TMDC-00100060-40N200



www.titan-microwave.com



DIMENSIONS IN MILLIMETERS(mm)

SIZE:
A4

SCALE:

SHEET:
1/1

REV:
A

Notes:

- ALL SPECIFICATIONS ARE SUBJECT TO CHANGE WITHOUT NOTICE AT ANY TIME
- CUSTOMER OUTLINE DRAWING FOR REFERENCE ONLY